

TORO[®]

WORKMAN[®] HD SERIES
UTILITY VEHICLES



Tougher than your toughest job.

WORKMAN® HDX AUTO



NO SHIFTING. NO SACRIFICES. NO NONSENSE.

Now you can get the power, versatility and reliability you'd expect from a Toro® Heavy-Duty Workman® with something you wouldn't expect: an automatic transmission. With the Workman HDX Auto, there's no clutch, no shifting and no sacrifices. Forget about training operators how to drive a manual transmission, or tires slipping as you let out the clutch. The combination of a powerful 28 hp (20.9 kW) Kohler® EFI twin-cylinder engine with a transmission that's calibrated to deliver peak power at any speed makes this the most efficient power delivery system on the market.



» UNIQUE SPEED CONTROL

Toro's proprietary SpeedContr'l™ makes it easy for operators to maintain consistent speed over rolling fairways and hills, ensuring accurate rates when you're topdressing and spraying even as ground speed varies.



» HANDLE ANY TERRAIN WITH EASE

You can go from zero to climbing the toughest terrain effortlessly, even with a fully loaded ProPass™ 200 top dresser or Multi Pro™ WM sprayer.

WORKMAN® HD SERIES



TOUGHER. STRONGER. BETTER. MEET THE TORO WORKMAN.

You can't get more hauling capacity, versatility, or bang for your utility vehicle buck than you can with a Toro Heavy-Duty Workman. With an I-beam axle that's seven times stronger than a tubular design, a bed that hauls up to 3,352 pounds (1,520 kg), and an electronic fuel-injected engine that makes every gallon go farther, it's the highest performing utility vehicle on the market today.

UNMATCHED TOUGHNESS

The Workman gets its remarkable strength from a rear DeDion axle built with the same kind of I-beam design used in skyscrapers, along with dual independent leaf springs and shock absorbers. It gives Workman HD vehicles superior vertical loading capacity by isolating the engine, transmission and main frame from all load forces, improving durability.

INCREDIBLE STOPPING POWER

A fully-loaded Workman can build up a lot of momentum. Thanks to 4-wheel hydraulic disc brakes, there is significantly better control and stopping power. Not only are hydraulic disc brakes safer, they are easier to service than traditional drum brakes.

PRECISION WHEEL BEARINGS

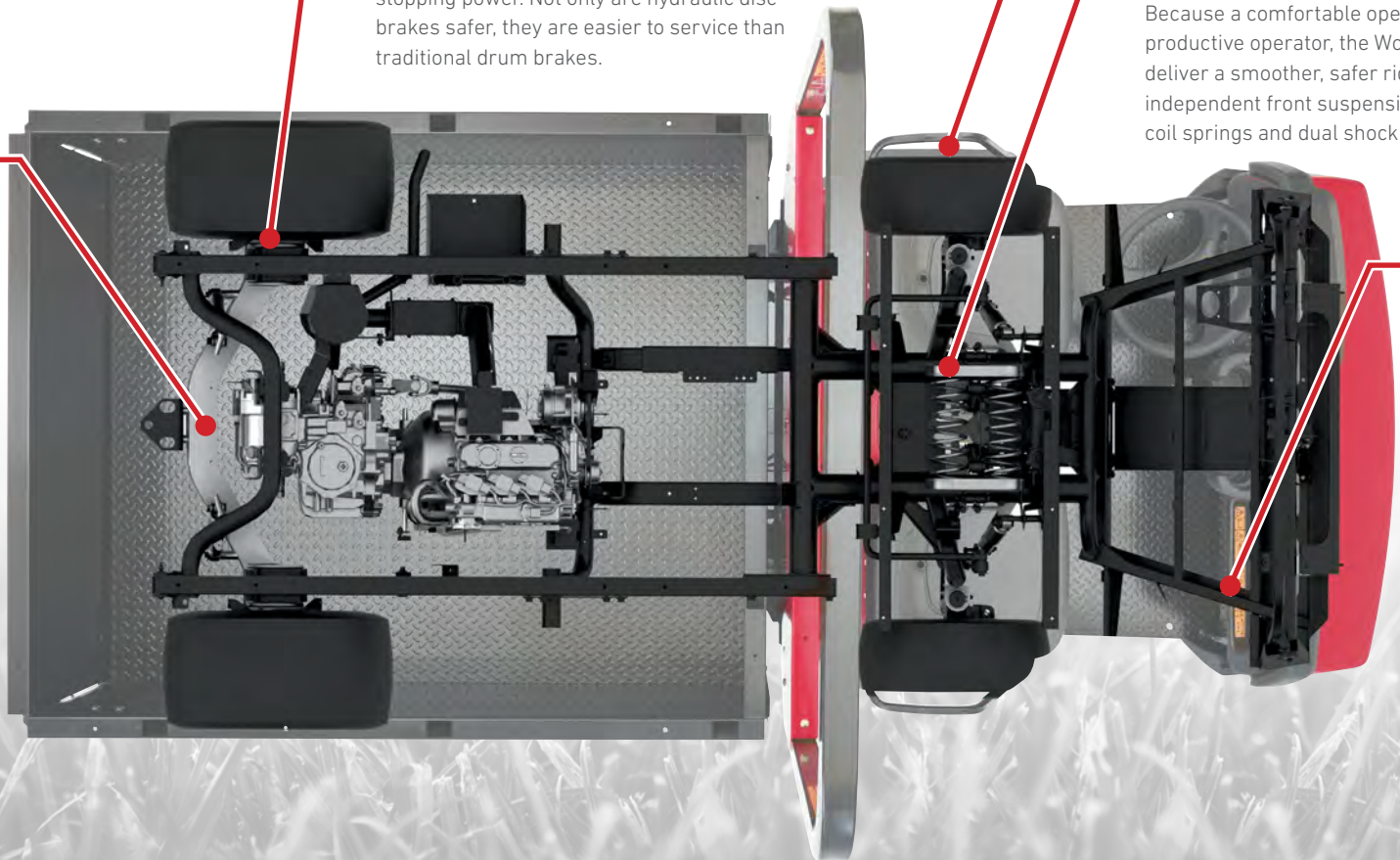
The most advanced integrated wheel bearing technology ensures the Workman keeps on rolling under the heaviest loads, day after day, job after job.

COMFORTABLE RIDE

Because a comfortable operator is a more productive operator, the Workman is engineered to deliver a smoother, safer ride. It's built with a true independent front suspension with opposing dual coil springs and dual shock absorbers.

SOLID FOUNDATION

The Workman is engineered with a truss-like front frame for superior strength and rigidity, and a C-channel rear frame design for unsurpassed performance in hauling heavy loads.



WORKMAN® HD SERIES



A THOROUGHbred WORKHORSE.

The Toro Workman is more than the industry's toughest utility vehicle. From the ground up, it was engineered to be smarter, more efficient and easier to operate. All with one goal in mind, to raise your productivity to new heights.



MORE CAPACITY AND PRODUCTIVITY

The Workman's maximum capacity of 3,352 pounds (1,520 kg) means it's up to most any challenge.

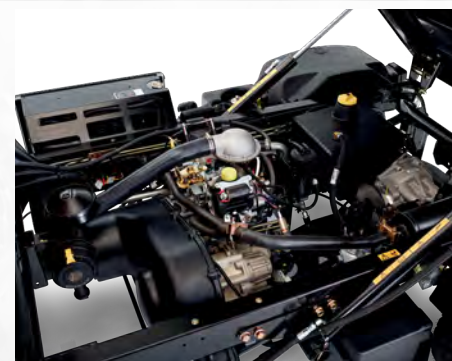
NO SLIPS OR SLIDES

The Workman is available with an on-demand four-wheel drive system that delivers surefooted traction in forward and reverse, without damaging turf.



» ALL-INCLUSIVE INSTRUMENTATION

The easy-to-read instrument panel includes fuel and temperature gauges, an hour meter, and warning lights for oil pressure, check engine and battery charge. A tachometer and speedometer are also standard on all liquid-cooled models.



» FUEL-INJECTED SAVINGS

Built with a powerful 32.5 horsepower (24.2 kW) electronic fuel injection (EFI) engine, the Workman HD shifts your productivity into high gear with a 15 to 20% increase in fuel economy, instant cold weather starting, smoother throttle response and onboard diagnostics for quick troubleshooting.

WORKMAN® HD SERIES



HIGHLY PRODUCTIVE WORK ATTACHMENTS AND ACCESSORIES.

The Workman rises to any challenge, no matter how tough the job. You can transform it in minutes with a 200-gallon (757 liter) sprayer, Patriot® aerial lift, Vicon® spreader, a topdresser and more.* Choose from a wide range of attachments and accessories featured here and online at TORO.COM/WorkmanHD.

**Trademarks are property of respective owners.*



WORKMAN HD WITH THE PROPASS™ 200 TOPDRESSER

Delivers unsurpassed versatility in topdressing, with a wireless model that lets you make adjustments in real time. Available in bed mounted or trailer versions.



» MULTI PRO® WORKMAN

Turns your Workman into a highly-efficient, precision sprayer with a 200 gallon (757 liter) tank, 3-section 18 1/2' (5.6 m) open boom system and a diaphragm pump.

**4-Post ROPS Required*



» DELUXE HARD CAB

Takes operator and passenger comfort to another level with a vented glass windshield, two-speed windshield wiper and an interior dome light. Two-door kits are also available.



VICON® SPREADER*

Pendulum action evenly spreads sand, fertilizer, seed and other dry materials. Volume 1/2 cubic yard (400 liters).



CANOPY AND FOLDING WINDSHIELD

Durable, high-density polyethylene canopy protects operators and passengers from sun and rain. Easy folding acrylic windshield allows airflow to enhance comfort.



RAHN® GROOMER*

The triple row broom is perfect for leveling uneven playing fields, with a 2-way system that provides a lock and float position to match conditions. Also useful for dethatching.



BOSS™ PLOW*

Heavy-duty front mounted plow designed to clear snow even in harsh winter conditions.



PATRIOT® LIFT*

25-foot (762 cm) aerial lift simplifies maintenance of trees, golf courses, parks, streetlights and more.



4-POST ROPS

Consists of four vertical posts connected together by top members to protect operator from injury in case of roll over.



ROPS SIGNAL LIGHT KIT

Protects operators with double amber warning lights and two single red taillights.

SPECIFICATIONS

WORKMAN® HD SERIES				
MODEL	HDX AUTO	HDX, HDX-4WD	HDX-D, HDX-D-4WD	HD
ENGINE:	Kohler® LH775 EFI	Kubota® 972 EFI	Kubota 902D	Kohler CH23
RATING:	28 hp (20.9 kW)	32.5 hp (24.2 kW)	23 hp (17.2 kW)	23 hp (17.2 kW)
DISPLACEMENT:	747 cc	962 cc	902 cc	674 cc
FUEL:	Gasoline	Gasoline	Diesel	Gasoline
COOLING:	Liquid	Liquid	Liquid	Air
MAXIMUM SPEED:	20 mph (32 km/h)	20 mph (32 km/h)	20 mph (32 km/h)	20 mph (32 km/h)
TOTAL CAPACITY:	HDX Auto 2WD: 3,295 lbs. (1,498 kg) HDX Auto 4WD: 3,265 lbs. (1,484 kg)	HDX: 3,249 lbs. (1,473 kg) HDX-4WD: 3,190 lbs. (1,447 kg)	HDX-D: 3,244 lbs. (1,472 kg) HDX-D-4WD: 3,185 lbs. (1,445 kg)	3,351 lbs. (1,520 kg)
CARGO BED CAPACITY: <i>(WITH TWO 200 LB. PASSENGERS)</i>	HDX Auto 2WD: 2,895 lbs. (1,316 kg) HDX Auto 4WD: 2,865 lbs. (1,303 kg)	HDX: 2,849 lbs. (1,292 kg) HDX-4WD: 2,790 lbs. (1,266 kg)	HDX: 2,844 lbs. (1,290 kg) HDX-D-4WD: 2,785 lbs. (1,263 kg)	2,951 lbs. (1,338 kg)
TOW HITCH:	600 lbs. (272 kg) tongue weight 3,500 lbs. (1,587 kg) trailer weight	600 lbs. (272 kg) tongue weight 3,500 lbs. (1,587 kg) trailer weight	600 lbs. (272 kg) tongue weight 3,500 lbs. (1,587 kg) trailer weight	600 lbs. (272 kg) tongue weight 3,500 lbs. (1,587 kg) trailer weight
BED DIMENSIONS:	Length: 127.6 in. (324 cm) without bed; 130 in. (330 cm) with bed Width: 64.7 in. (164.3 cm) Height: 75.8 in. (192.5 cm) to top of ROPS			
4WD MODELS:	Fully automatic on-demand, bi-directional system. Uses dual bi-directional clutches. In event of rear tire slippage, clutches transmit power proportionally to front wheel with highest traction.			
CERTIFICATIONS:	Certified to meet SAE J2258. Certified to meet ISO/DIS 21299 for ROPS. Engine meets all applicable emissions standards per the manufacturer. Certified to meet the CE Machinery Directive.			
WARRANTY:	Two-year limited warranty. See Operator's Manual for further details.			

For complete specifications, visit Toro.com/WorkmanHD. Specifications subject to change.

LEARN MORE

FIND COMPLETE SPECIFICATIONS, PRODUCT VIDEOS AND MUCH MORE AT

TORO.COM

KEY ACCESSORIES



» TOPDRESSER 1800/2500

- 18 or 25 cubic foot (510 or 708 liter) capacity topdressers that will ensure consistent application rates on even and uneven terrain.



» PROCORE® PROCESSOR

- Sweeps, processes, and disperses aeration cores in one, quick operation.
- Designed for large turf areas, 70" (178 cm) processing width.



» PRO FORCE® BLOWER

- Unmatched air power will allow you to blow away grass clippings, leaves, aeration cores, sand, gravel, trash or other debris with ease.



» PRO SWEEP®

- Towed, two wheel sweeper with a 25 cubic foot (698 liter) high dump hopper capable of dumping into the bed of Workman HD series vehicles.



Count on it.

LEARN MORE

CONTACT US AT: **800-803-8676**
OR VISIT US AT: **toro.com**

FOLLOW US!



facebook.com/toro
twitter.com/TheToroCompany
twitter.com/ToroGolf
youtube.com/toro
linkedin.com/company/the-toro-company

©2016 The Toro Company, Bloomington, MN 55420
All rights reserved. Printed in the USA.
Part Number 16-090-T

Products depicted in this literature are for demonstration purposes only. Actual products offered for sale may vary in use, design, required attachments and safety features. We reserve the right to improve our products and make changes in specifications, design and standard equipment without notice and without incurring obligation. See your distributor for details on all our warranties.

