

# Memo

**To:** Patricia Davis, P.E., Brad Marshall  
**From:** Jonathan Tran, P.E. / Charles Cameron  
**Copy:** Matt Gaughan, P.E.  
**Date:** June 11, 2020  
**Subject:** CWWTP1 Change Order 0001

For the Central Wastewater Treatment Plant Expansion project, the Owner's Representative Team recommends approval of the attached Change Order 0001 in the amount of \$288,607.76 and 34 additional days to the contract with BAR Constructors, Inc. for the nine items in Table 1 below.

The current contract price is \$41,863,737.95 and the revised total not to exceed contract price, including this change order, will be \$42,152,345.71. The current contract Substantial Completion date is 10/12/2021, and the revised contract Substantial Completion date will be 11/15/2021.

Item No.	Description	Net Change in Cost	Net Change in Time	Change Order Code
1	CP001 – Phosphorus Analyzer Building and Relocation	\$71,226.21	21 days	R
2	CP001 – Clarifier No. 3 Sump Pit and Drain	\$20,572.07		F
3	CP001 - UV Basin - Additional Structural Supports	\$31,777.04		F/D
4	CP001 – PC Pump Containment Curb and Blower Header Rehab	\$16,897.39		R
5	CP002 – Thoroseal Coating on Headworks and Influent PS	\$30,860.89	7 days	E
6	CP003 - BNR, IPS, and HW - Additional Structural Supports	\$20,586.03	0 days	F/D
7	CP0005 – Temporary Communications for Administration Building and Filed Operations Building	\$7,299.50	0 days	S
8	CP0006 – 60” Hobas Pipe at Mixed Liquor Junction/Splitter Box	(\$7,626.27)	0 days	E
9	CP0007 Temporary Lift Station for Project Charm/SH130	\$97,014.89	6 days	R
<b>Total</b>	<b>Net Change to Contract</b>	<b>\$288,607.76</b>	<b>34 days</b>	

**Item No. 1: CP001 Phosphorus Analyzer Building and Relocation**  
***R- Owner Requested***

The City Plant staff requested the Engineer provide modifications after the bid of the project to relocate the existing phosphorus building adjacent to the Aeration Basin #1 and provide a new phosphorus analyzer and turbidimeter building adjacent to the Effluent Filter Basin. This is needed to ensure the Plant stays in compliance with their TCEQ Permit Restrictions. The scope of work includes a new building slab, new fiberglass building, relocation of sample piping, instrumentation, HVAC equipment, process piping, electrical and other miscellaneous modifications.

**Item No. 2: CP001 Clarifier No .3 Sump Pit and Drain Piping**  
***F- Field Detailed Design***

During the submittal review phase of the Clarifier No. 3 equipment, the selected manufacturer, required the Engineer to change the location of the drain as shown on their contract documents. This was required to comply with the specific manufacturer equipment requirements. The scope of work includes a new clarifier sump pit, a new 8-inch PVC drain line, and cleanouts.

**Item No. 3: CP001 Structural Support Changes**  
***F- Field Detailed Design / D – Design Issues***

During the submittal review phase of the gratings and canopy at the UV Filter, there were questions regarding spacings of beams and canopy purlins and the extent of grating over the UV Structure finger weirs. The Engineer confirmed additional grating requirements and clarified the number and spacing of purlins required for the UV Structure Canopy. This required the metal subcontractor to provide more beams than shown on the contract drawings. The scope of work required is for additional beams, embedments and other miscellaneous metals.

**Item No. 4: CP001 PC Pump Containment Curb and Blower Header Rehab –**  
***R- Owner Requested***

The City Plant staff requested the Engineer provide modifications after the bid of the project to install a concrete containment curb around the progressive cavity pumps and replace the leaking valves in the solids handling area. This work will contain a spill from the pumps and repair the leaking lines of the sludge holding tank air header. This scope of work includes concrete surface preparation, rebar dowels and epoxy, waterstop, concrete curb, valves, couplings, and other miscellaneous piping appurtenances.

**Item No. 5: CP0002 Thoroseal Coating on Headworks and Influent Pump Station**  
***E- Value Engineering / Enhancement***

During the review of concrete specifications for concrete pours, BAR indicated that they saw a waterproofing specification but there were no callouts in the plans/sections to where waterproofing was to be placed. BAR asked the Engineer if they would like to apply the exterior waterproofing to any of the structures prior to performing the work. The Engineer recommended to apply the waterproofing to the influent lift station and headworks building as these are the most susceptible to corrosion by the incoming wastewater. The scope of work includes surface preparation, material, and application of Thoroseal coating.

**Item No. 6: CP003 Structural Support Changes**  
***F- Field Detailed Design / D – Design Issues***

During the submittal review phase of the gratings at the Influent Filter and RAS Splitter Box, Headworks and BNR there was a Request for Information (RFI0009) regarding spacing of beams. The Engineer responded to RFI provided revised dimensions to the supplier for the grating requirements. This required the metal subcontractor to provide more beams than shown on the contract drawings. Further during submittal review, Engineer required change of cable trench embed material from galvanized to aluminum. The scope of work required is for additional support beams, changed material of embedments and other miscellaneous metals.

**Item No. 7: CP005 Temporary Communications for Administration Building and Field Operations Building**  
***S - Site Condition***

During site investigation by Team Morales it was discovered that there was a fiber optic line in the electrical ductbank routed from Electrical Building 4 to behind the Public Works Administration Building. The ductbank was shown to contain power and could be abandoned after demolition of the existing lab building. This fiber optic line provides service to the Public Works Admin Building. This ductbank will need to be demolished as it is routed through the site of the new headworks facility. As a result of the ductbank demolition, temporary communications are required for the Public Works Administration Building and Field Operations Building. The temporary communications will take the form of two 5GHz Lite Beam M5 23dbi Ubiquiti radios communicating to the existing radio housed at Electrical Building 4.

**Item No. 8: 60” Hobas Pipe at Mixed Liquor Junction/Splitter Box  
E- Value Engineering / Enhancement**

During the submittal review phase of the 60” Hobas pipe there was a Request for Information (RFI0032) regarding a proposed change for the wall penetration for the 60” FRP pipe at the Mixed Liquor Junction/Splitter Box. The Engineer responded to the RFI that the proposed 342/Type penetration be replaced with a cast-in place connection under the junction/splitter box. This will allow for a true alignment of the pipe and a better water stop installation. HOBAS will place a FRP wall ring on the (2) vertical sticks of pipe to create a tight water seal.

**Item No. 9: CP0007 Temporary Lift Station for Project Charm | SH-130  
R- Owner Requested**

City has requested modifications to provide temporary lift station in vicinity of the Influent Lift Station and Headworks for anticipated wastewater flows from Project Charm | SH-130 Interceptor by November 2020. A temporary lift station will be installed in existing manhole No 12 and will bypass pump the new incoming wastewater flow into existing manhole No 15 then onto the existing headworks. This will continue until the Influent pump station is completed. The scope of work required is for excavation, pre-cast concrete manhole, pumps, electrical, controls, discharge piping as well as additional security fencing.

**Change Order Codes**

D - Design Issue	Clarification of ambiguity in the design documents
F - Field Detailed Design	Scope of work not yet incorporated into the Tender Design Documents
R - Owner Request	Requested by authorized Owner personnel
S - Site Condition	Variation caused by unforeseen or unique site conditions
E - Value Engineering / Enhancement	Variation which resulted in increased value to the Owner
X - Other	All other categories



**Change Order**

<b>Project:</b> <u>Central Wastewater Treatment Plant</u>	<b>Project Number:</b> _____
<b>Owner:</b> <u>City of Pflugerville</u>	<u>88</u>
<b>Contractor:</b> <u>BAR Constructors</u>	<u>279</u>
<b>Engineer:</b> <u>Freese and Nichols</u>	<u>PFL16607</u>
<b>PCM:</b> <u>Plus Six Engineering</u>	<u>19-211</u>

**Change Order No.:** 001      **Date:** 06/11/2020

**Make the following additions, modifications, or deletions to the Work described in the Contract Documents:**

1. CP0001 – Phosphorus Analyzer Building and Relocation	\$71,226.21
2. CP0001 – Clarifier No. 3 Sump Pit and Drain	\$20,572.07
3. CP0001 – Structural Support Changes	\$31,777.04
4. CP0001 – PC Pump Containment Curb and Blower Header Rehab	\$16,897.39
5. CP0002 – Thoroseal Coating on Headworks and Influent PS	\$30,860.89
6. CP0003 – Structural Support Changes	\$20,586.03
7. CP0005 - Temp Comms for Administration Building and Filed Operations Building	\$7,299.50
8. CP0006 - 60" Hobas Pipe at Mixed Liquor Junction/Splitter Box	(\$7,626.27)
9. CP0007 – Temporary Lift Station for Project Charm   SH-130	\$97,014.89
<b>Net Change to Contract Amount:</b>	<b>\$288,607.76</b>

*The compensation in this Change Proposal is the full, complete, and final compensation for all costs the Contractor may incur as a result of or relating to this change whether said costs are known, unknown, foreseen, or unforeseen at this time, including without limitation, any cost for delay, extended overhead, ripple or impact cost, or any other effect on changed or unchanged Work as a result of this Contract Amendment. The changes in Contract Times are the complete and final adjustments for direct impacts to the ability of the Contractor to complete the Work within the Contract Times and are the only adjustments to which the Contractor is entitled.*

<b>a Original Contract Price</b>	\$41,863,737.95
<b>b Previously Approved Change Order Amounts</b>	\$0.00
<b>c Adjusted Contract Price ( a + b )</b>	\$41,863,737.95
<b>d Change Order Amount</b>	\$288,607.76
<b>e Revised Contract Price ( c + d )</b>	\$42,152,345.71
<b>f Percent Change to Date:</b> <u>0.7%</u>	<b>g Change in Days this Change Order:</b> <u>34</u>
<b>Completion Dates:</b>	<b>Original</b> <b>Current</b> <b>Revised</b>
<b>Substantial</b> <b>h</b> <u>10/12/2021</u>	<b>i</b> <u>10/12/2021</u> <b>J</b> <u>11/15/2021</u>
<b>Final</b> <b>k</b> <u>12/11/2021</u>	<b>l</b> <u>12/11/2021</u> <b>m</b> <u>01/14/2022</u>

<p><b>Recommended by:</b> Construction Manager</p> <div style="text-align: center;">   <u>6/10/2020</u>  <small>Name                      Date</small> </div> <p><b>Approved by:</b> BAR Constructors</p> <div style="text-align: center;"> <hr style="width: 80%; margin: 0 auto;"/>  <small>Name                      Date</small> </div>	<p><b>Recommended by:</b> Engineer</p> <div style="text-align: center;"> <hr style="width: 80%; margin: 0 auto;"/>  <small>Name                      Date</small> </div> <p><b>Approved by:</b> City of Pflugerville</p> <div style="text-align: center;"> <hr style="width: 80%; margin: 0 auto;"/>  <small>Name                      Date</small> </div>
---	--

<b>Project:</b>	Central Wastewater Treatment Plant	<b>Project Number:</b>	
<b>Owner:</b>	City of Pflugerville		88
<b>Contractor:</b>	BAR Constructors, Inc		279
<b>Engineer:</b>	Freese and Nichols, Inc		PFL16607
<b>Request No.:</b>	0001	<b>Description:</b>	Phosphorus Analyzer Repurposing, Clarifier Drain Line, Sludge Handling Items and Submersible Influent Sump Pumps
<b>Specification:</b>			
<b>Drawing No.:</b>		<b>Detail Description:</b>	
<b>Reference Document:</b>			
<input type="checkbox"/> Request for Information No.: _____ <input type="checkbox"/> Shop Drawing Deviation Request No.: _____			
<input type="checkbox"/> Work Change Directive No.: _____ <input type="checkbox"/> Contract Document: _____			
<p><i>The Owner requests that the Contractor prepare a Change Proposal for the changes in the Contract Documents described in this Request for a Change Proposal. The compensation offered for this Change Proposal is to be the full, complete, and final compensation for all costs the Contractor may incur as a result of or relating to this change whether said costs are known, unknown, foreseen, or unforeseen at this time, including without limitation, any cost for delay, extended overhead, ripple or impact cost, or any other effect on changed or unchanged Work as a result of this Contract Amendment. Requested changes in Contract Times are to be the complete and final adjustments for direct impacts to the ability of the Contractor to complete the Work within the Contract Times and are the only adjustments to which the Contractor will be entitled. Authorization to proceed with changes must be approved by the Owner in accordance with the Contract Documents.</i></p>			
<b>Owner requests a Change Proposal for the following modifications to the Contract Documents:</b>			

**Item 1: Existing Phosphorus Analyzer Repurposing**

Relocate the existing phosphorus analyzer, piping, HVAC equipment, lighting, and fiberglass housing to the existing mixed liquor splitter box next to the Aeration Basin #1 effluent box. A new 6' x 6' x 7.5' fiberglass building shall be provided for the new phosphorus analyzer and turbidimeter near the cloth media filters in place of repurposing the existing. Reference the attached markups.

**Assumptions:**

- All existing sample piping inside the existing phosphorus analyzer building will be relocated and reused
- The existing Phosphax system including control panels will be relocated and reused
- The existing Filtrax system will be reused (if possible)
- The existing HVAC equipment will be relocated and reused
- The existing lighting will be relocated and reused

**Description of Work:**

- New 10' x 10' concrete slab for phosphorus analyzer building adjacent to the Aeration Basin #1 effluent box per Detail 6, SD-27.
- New 1" PVC sample line extending from AB #1 effluent box, over the top of the north wall of the effluent box extending down to grade level, then north at grade to the phosphorus analyzer building through existing pipe penetrations on the back of the phosphorus analyzer building. Support piping on concrete basin using 316 SS pipe straps.
- New 2" PVC hub floor drain.
- New 2" PVC drain line extending from below floor of phosphorus analyzer building to 15" drain line located north of the aeration basins.
- New piping tie-in to 15" drain line north of the aeration basins with wye and reducers at connection point of 2" PVC drain and 15" PVC drain.
- Relocate existing sample piping, instrumentation, HVAC equipment, lighting, and phosphorus analyzer building to new concrete slab.
- Install power wires to account for the required amperage and voltage drop from EB-1 to the relocated phosphorous building.
- Install analog wires from EB-1 to the phosphorous building.
- From EMH-6 to the proposed location, Install concrete encased ductbank with 2-2" conduits for power and analog signals.
- Miscellaneous modifications to the PLC and power source (LP-BNR1)
- Provide new 6' x 6' x 7.5' fiberglass building for housing P-analyzer and turbidimeters at effluent filters. Fiberglass building shall be one-piece standard accessories building by Tracom or approved equal.

**Item 2: Clarifier Drain Line**

A drain line will be installed extending from Clarifier #3 to the 10" drain line located north of Clarifier #3 replacing the 12" drain with plug currently shown on the drawings. Reference the attached markups.

**Description of Work:**

- New sump in clarifier for connection to 8" PVC drain line.
- Removal of proposed 12" tee and drain plug
- New below grade 8" PVC drain line extending 63' from Clarifier #3 drainage sump to the 10" PVC drain line located north of Clarifier #3.
- New below grade 8" plug valve installed on 8" drain line just outside of the clarifier wall.
- Two new cleanouts installed on either side of the 8" plug valve.
- New 8" PVC 45 degree bend to be installed prior to connection with 10" drain line.

<b>Project:</b>	Central Wastewater Treatment Plant	<b>Project Number:</b>	
<b>Owner:</b>	City of Pflugerville		88
<b>Contractor:</b>	BAR Constructors, Inc		279
<b>Engineer:</b>	Freese and Nichols, Inc		PFL16607

• New tie-in to 10" drain line.

**Item 3: UV Structural Drawing Correction**

Modifications to sheets S-UV-1 to S-UV-8 to clarify sections and details of the design.

Description of Work:

• No additional work required.

**Item 4: PC Pump Containment Curb**

Installation of 6" concrete containment curb around progressing cavity pumps in solids handling area. Reference attached markups.

Description of Work:

- Roughen slab under proposed curb
- Install dowels as required by detail
- Form and pour containment curb around pumps.

**Item 5: Blower Header Rehabilitation**

Replacement of leaking valves and couplings on sludge holding tank air header.

Description of Work:

- Replacement of 10" SS flange and flange adapter
- Replacement of two (2) 6" SS butterfly valves
- Replacement of two (2) 6" SS "Dresser-Style" flexible couplings

**Item 6: Sludge Holding Tank Level Sensor**

Installation of radar style level sensor on sludge holding tank for control of sludge transfer pumps

Description of Work:

- Install radar sensor on sludge holding tank
- Control wiring to tie reading into SCADA
- Programming upgrades to allow use of level sensor for control of sludge transfer pumps

**Item 7: Submersible Pumps**

Description of Work

BAR have submitted the specified Sulzer submersible sump pumps for installation at the influent lift station, The City of Pflugerville have had performance and vendor issues with Sulzer submersible pumps in the past and have asked that BAR procure either the KSB or Flygt submersible pumps, as specified in 44 42 56.04 Submersible Pumps

**Purpose of Change Proposal:**

<b>Project:</b>	<u>Central Wastewater Treatment Plant</u>	<b>Project Number:</b>	<u>88</u>
<b>Owner:</b>	<u>City of Pflugerville</u>		<u>279</u>
<b>Contractor:</b>	<u>BAR Constructors, Inc</u>		<u>PFL16607</u>
<b>Engineer:</b>	<u>Freese and Nichols, Inc</u>		
<b>Attachments:</b> C-10, C-13, C-15, M-EF-1, S-EF-2, E-3, E-6, E-12, E-13, E-EB-1, E-42, C-18, M-FC-1, M-FC-2 S-FC-1, Section at Drainage Sump Pit Detail, S-UV-1, S-UV-2, S-UV-3, S-UV-4, S-UV-5, S-UV-6, S-UV-7, S-UV-8, M-11, Containment Curb Detail and Blower Photos			
<b>Status:</b> <input type="checkbox"/> Change Proposal No.: _____ Received <input type="checkbox"/> Cancelled			
<b>Action Required:</b> <input type="checkbox"/> Documents Filed <input type="checkbox"/> Cancelled			
<b>Requested by:</b>			<b>Date:</b> <u>02/13/2020</u>

## Item 1: Existing Phosphorus Analyzer Repurposing



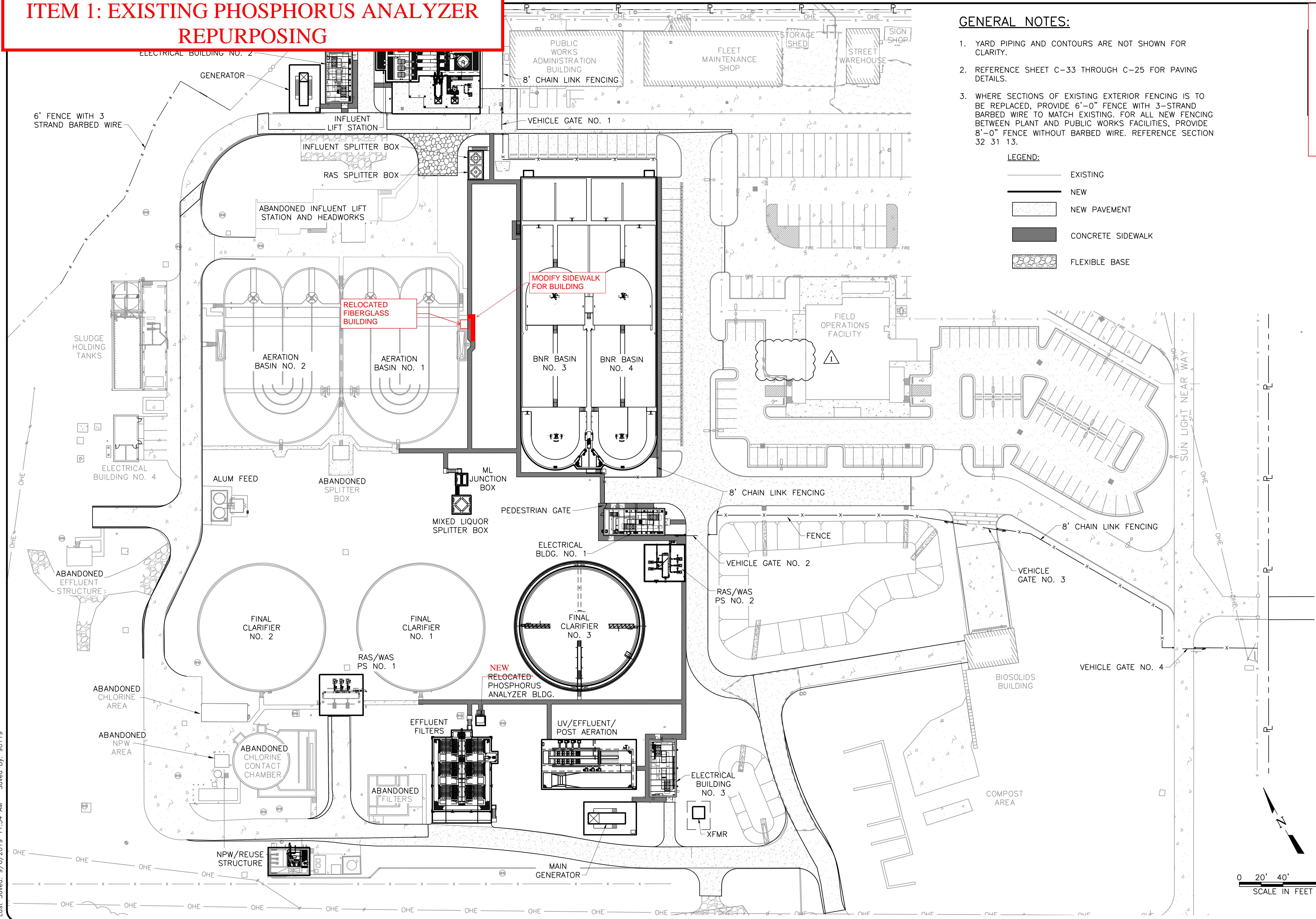
# ITEM 1: EXISTING PHOSPHORUS ANALYZER REPURPOSING

### GENERAL NOTES:

1. YARD PIPING AND CONTOURS ARE NOT SHOWN FOR CLARITY.
2. REFERENCE SHEET C-33 THROUGH C-25 FOR PAVING DETAILS.
3. WHERE SECTIONS OF EXISTING EXTERIOR FENCING IS TO BE REPLACED, PROVIDE 6'-0" FENCE WITH 3-STRAND BARBED WIRE TO MATCH EXISTING. FOR ALL NEW FENCING BETWEEN PLANT AND PUBLIC WORKS FACILITIES, PROVIDE 8'-0" FENCE WITHOUT BARBED WIRE. REFERENCE SECTION 32 31 13.

#### LEGEND:

- EXISTING
- NEW
- NEW PAVEMENT
- CONCRETE SIDEWALK
- FLEXIBLE BASE



CITY OF PFLUGERVILLE  
**CENTRAL WWTW EXPANSION**  
**PHASE I IMPROVEMENTS**  
 CIVIL  
**PHASE I PLANT LAYOUT**

NO.	ISSUE	BY	DATE	P&R JOB NO.	DESIGNED	DRAWN	REVISION	CHECKED	ED/CG
				PFL16607	CCG	MCA			
				DATE	07/17/19				
				FILE NAME	WW-ALL-OA-SITE-02.dwg				
				ADDENDUM NO.3					
				VERIFY SCALE	Bar is one inch on original drawing, if not one inch on this sheet, adjust scale.				
SHEET	C-10								
SEQ.	31								

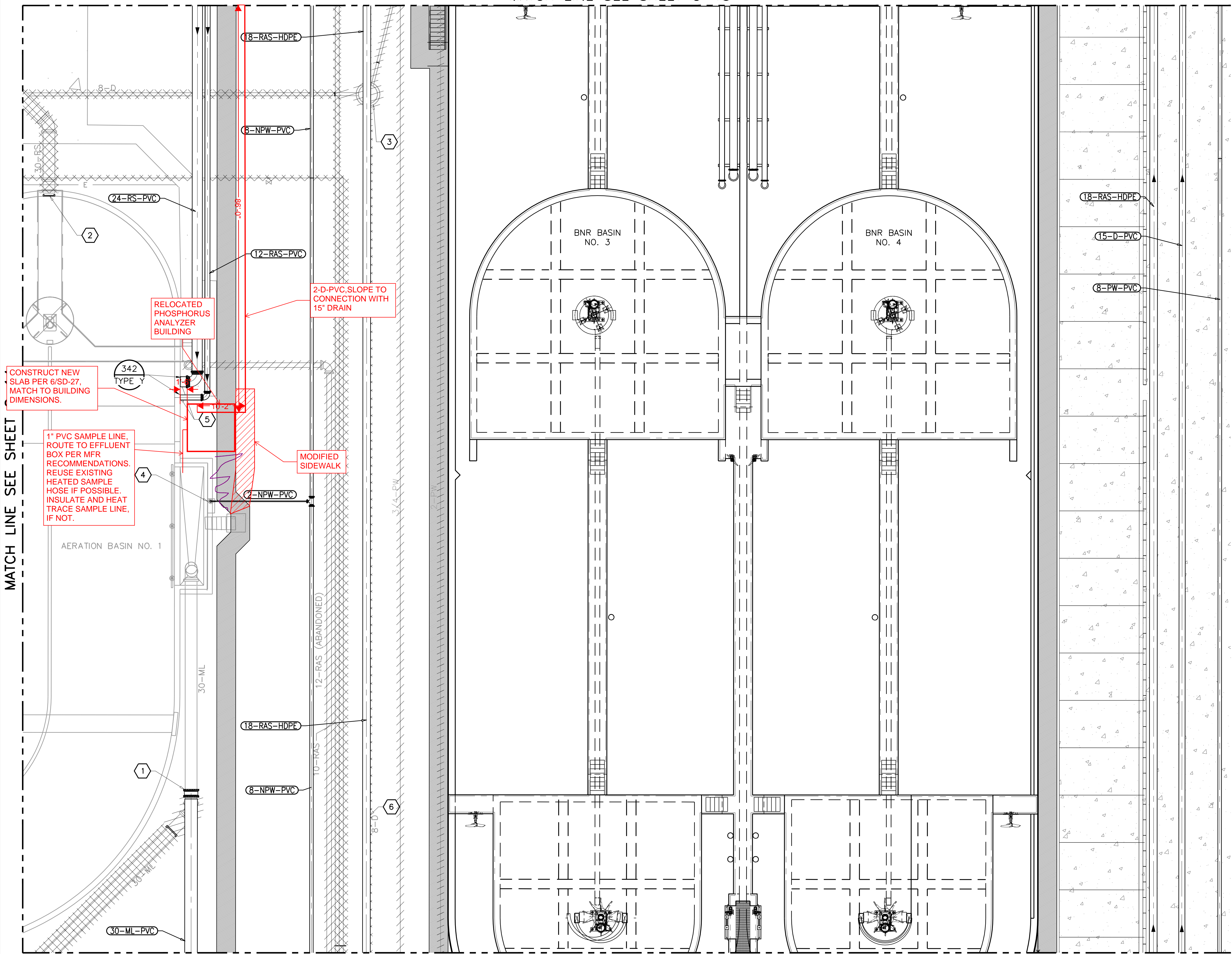
ACAD Ref: 21.0s (LMS Tech)  
 Filename: N:\WW\WW-ALL-OA-SITE-02.dwg  
 Last Saved: 9/6/2019 11:34 AM  
 Saved By: 90119



ACAD: Rel: 21.0s (LMS Tech)  
 Filename: N:\WW\WW-SITE-YP-PL.dwg  
 Last Saved: 8/5/2019 12:31 PM Saved By: sandefurdw

MATCH LINE SEE SHEET C-13

MATCH LINE SEE SHEET C-18



**GENERAL NOTES:**

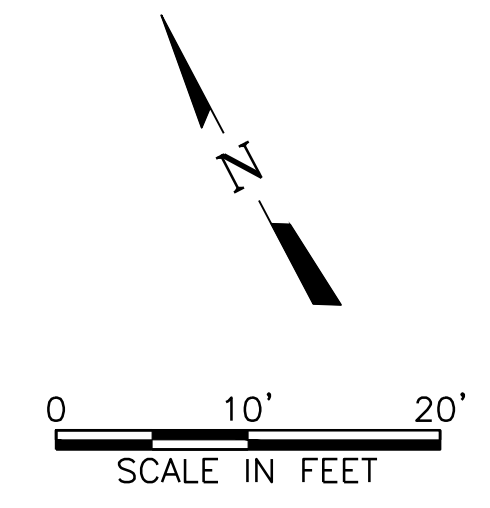
1. ALL DIMENSIONS AND ELEVATIONS SHALL BE FIELD VERIFIED AND CONFIRMED BY EQUIPMENT SUPPLIER AND CONTRACTOR, PRIOR TO MANUFACTURING AND CONSTRUCTION.
2. REFERENCE SECTION 01 35 00 FOR SPECIAL PROCEDURES AND CONSTRUCTION SEQUENCING.
3. PIPE ROUTING AND LOCATIONS ARE APPROXIMATE BASED ON EXISTING DATA.
4. AT ALL LOCATIONS PIPE IS SHOWN TO BE DEMOLISHED OR ABANDONED, CONTRACTOR TO REFER TO NOTE IN ON SHEET G-4.
5. SLOPE PIPES UNIFORMLY BETWEEN CALLED INVERT ELEVATIONS (I.E.) UNLESS NOTED OTHERWISE

**NOTES BY SYMBOL "◯"**

- ① REMOVE PIPE AND FITTINGS NECESSARY TO CONNECT NEW PIPE, PROVIDE ALL APPURTENANCES FOR TIE-IN
- ② PLUG 30-RS IN AERATION BASIN NO. 1
- ③ DEMOLISH MANHOLE PER STANDARD DETAIL 1/SD-17
- ④ TIE INTO EXISTING UTILITY STATION/SCUM CONTROL PVC PIPING. MAKE CONNECTION 18" BELOW GRADE.
- ⑤ PENETRATE 24-RS AND 12-RAS AT I.E. 626.50.
- ⑥ ABANDON 8-D

**LEGEND:**

- PROPOSED DEMOLITION
- ABANDON IN PLACE



CITY OF PFLUGERVILLE  
**CENTRAL WWTW EXPANSION**  
**PHASE I IMPROVEMENTS**  
 CIVIL  
**YARD PIPING PLAN IV**

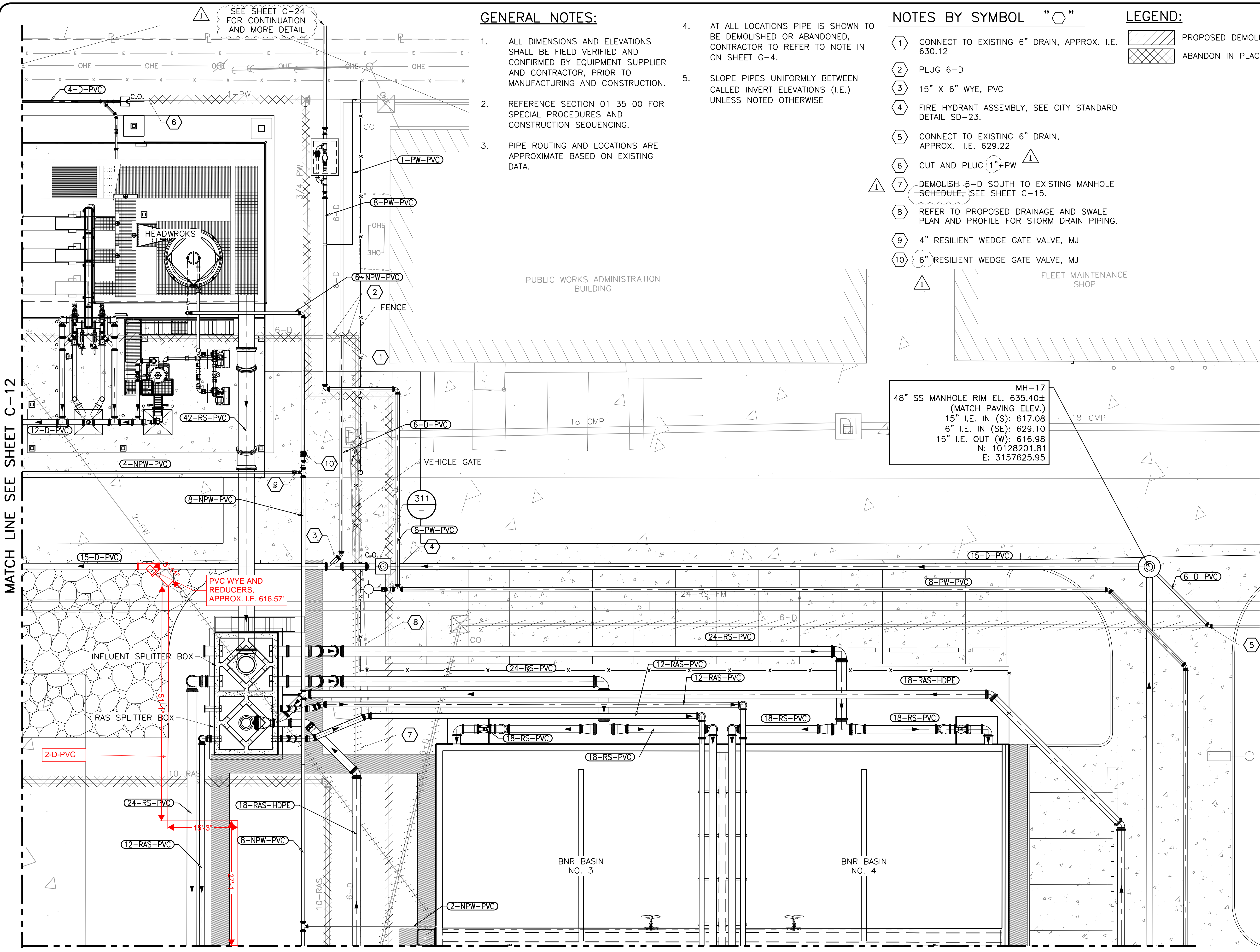
NO.	ISSUE	DATE	BY	FILE NAME
0				WW-SITE-YP-PL.dwg
DATE	DESIGNED	DRAWN	CHECKED	ED/CG
07/17/19	CDC	DWS	REVISD	
P&N JOB NO.	DATE	DESIGNED	DRAWN	CHECKED
PFL16607	07/17/19	CDC	DWS	REVISD

SHEET **C-15**

SEQ. 36



ACAD Ref: 21.0s (LMS Tech)  
 Filename: N:\WW\WW-SITE-YP-PL.dwg  
 Last Saved: 8/28/2019 11:58 AM Saved By: 90119



SEE SHEET C-24 FOR CONTINUATION AND MORE DETAIL

**GENERAL NOTES:**

1. ALL DIMENSIONS AND ELEVATIONS SHALL BE FIELD VERIFIED AND CONFIRMED BY EQUIPMENT SUPPLIER AND CONTRACTOR, PRIOR TO MANUFACTURING AND CONSTRUCTION.
2. REFERENCE SECTION 01 35 00 FOR SPECIAL PROCEDURES AND CONSTRUCTION SEQUENCING.
3. PIPE ROUTING AND LOCATIONS ARE APPROXIMATE BASED ON EXISTING DATA.
4. AT ALL LOCATIONS PIPE IS SHOWN TO BE DEMOLISHED OR ABANDONED, CONTRACTOR TO REFER TO NOTE IN ON SHEET G-4.
5. SLOPE PIPES UNIFORMLY BETWEEN CALLED INVERT ELEVATIONS (I.E.) UNLESS NOTED OTHERWISE

**NOTES BY SYMBOL "○"**

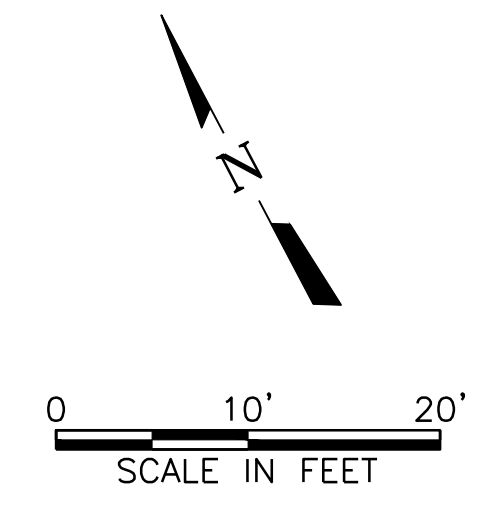
- 1 CONNECT TO EXISTING 6" DRAIN, APPROX. I.E. 630.12
- 2 PLUG 6-D
- 3 15" X 6" WYE, PVC
- 4 FIRE HYDRANT ASSEMBLY, SEE CITY STANDARD DETAIL SD-23.
- 5 CONNECT TO EXISTING 6" DRAIN, APPROX. I.E. 629.22
- 6 CUT AND PLUG 1"-PW
- 7 DEMOLISH 6-D SOUTH TO EXISTING MANHOLE SCHEDULE, SEE SHEET C-15.
- 8 REFER TO PROPOSED DRAINAGE AND SWALE PLAN AND PROFILE FOR STORM DRAIN PIPING.
- 9 4" RESILIENT WEDGE GATE VALVE, MJ
- 10 6" RESILIENT WEDGE GATE VALVE, MJ

**LEGEND:**

- PROPOSED DEMOLITION
- ABANDON IN PLACE

MH-17  
 48" SS MANHOLE RIM EL. 635.40±  
 (MATCH PAVING ELEV.)  
 15" I.E. IN (S): 617.08  
 6" I.E. IN (SE): 629.10  
 15" I.E. OUT (W): 616.98  
 N: 10128201.81  
 E: 3157625.95

PVC WYE AND REDUCERS, APPROX. I.E. 616.57'



MATCH LINE SEE SHEET C-15

MATCH LINE SEE SHEET C-12



CITY OF PFLUGERVILLE  
**CENTRAL WWTP EXPANSION**  
 PHASE I IMPROVEMENTS  
 CIVIL  
**YARD PIPING PLAN II**

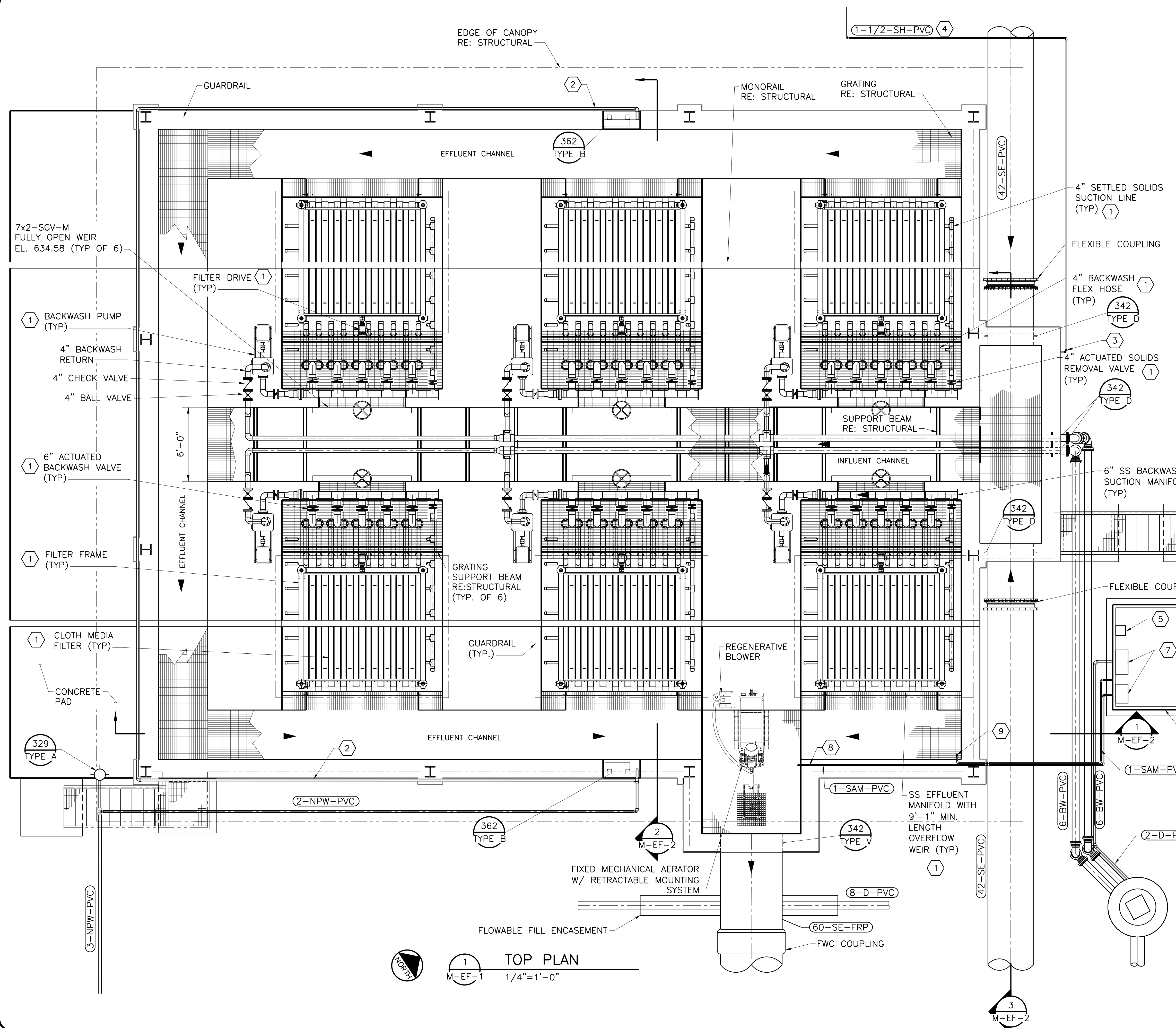
NO.	ISSUE	BY	DATE	DATE	DESIGNED	CCD	DWS	REVISION	ED/CG
				07/17/19					
ADDENDUM NO. 2		CG	9/4/19						
VERIFY SCALE	Bar is one inch on original drawing, if not one inch on this sheet, adjust scale.								
SHEET									
SEQ.									

C-13

34



ACAD: Rel: 21.0s (LMS Tech)  
 Filename: N:\WW\WW-FILT-BSN-PL.dwg  
 Last Saved: 8/2/2019 10:22 AM  
 Saved By: 90119



**GENERAL NOTES**

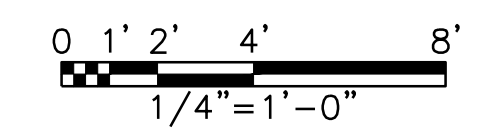
1. ALL EQUIPMENT SHOWN ON THIS SHEET IS DESIGNED AROUND ALFA LAVAL ASHBROOK SIMON-HARTLEY ISO-DISC FILTER. CONTRACTOR IS RESPONSIBLE FOR COORDINATION WITH MANUFACTURER FOR A COMPLETE AND OPERABLE SYSTEM.
2. ALL BACKWASH PIPING INSIDE THE FILTERS SHALL BE 304 SS OR SCHED. 80 PVC, AS RECOMMENDED BY THE MANUFACTURER.
3. CONTRACTOR SHALL COORDINATE THE SCOPE OF BACKWASH PIPING AND EQUIPMENT SUPPLY WITH THE MANUFACTURER. THE CONTRACTOR SHALL BE RESPONSIBLE FOR SUPPLY OF A COMPLETE AND OPERABLE SYSTEM, INCLUSIVE OF ALL PIPING, VALVING, MECHANICAL AND ELECTRICAL EQUIPMENT WHETHER OR NOT SHOW HEREIN.
4. PROVIDE PIPING INSULATION ON ALL EXPOSED PIPING PER SECTION 44 00 00.02. HEAT TRACE LINES AS SHOWN ON ELECTRICAL DRAWINGS.
5. GATES SHALL BE AS SPECIFIED IN SECTION 40 05 50.
6. ALUMINUM GRATING TO BE MODIFIED TO ACCOMMODATE BACKWASH PIPING FROM FILTERS.

**NOTES BY SYMBOL "⬡"**

- 1 PROVIDED BY FILTER EQUIPMENT SUPPLIER
- 2 FIELD ROUTE 1-1/2"-NPW-PVC TO UTILITY STATION. ATTACH TO RAIL PER DETAIL 362/TYPE B.
- 3 FIELD ROUTE 1-1/2" PVC CASING PIPE VERTICALLY UP WALL AND PROVIDE PENETRATION 12" BELOW TOP OF WALL. PROVIDE HYDROPHILIC WATERSTOP (ADEKA ULTRASEAL) AROUND PIPE.
- 4 1/2" TUBING IN 1-1/2" SCH 40 PVC CONDUIT
- 5 NEW HACH TU5300 SC TURBIDIMETER, SEE SHEET M-AS-12.
- 6 ~~RELOCATED~~ PHOSPHORUS ANALYZER BUILDING FROM EXISTING MIXED LIQUOR JUNCTION BOX.
- 7 NEW PHOSPHORUS ANALYZER AND SAMPLE PUMP, SEE SHEET M-AS-12
- 8 1" PVC SAMPLE LINE TO BE FIELD ROUTED BY CONTRACTOR TO LOCATION SHOWN. EXTEND SAMPLE LINE INTO BASIN, 6" ABOVE BASIN FLOOR. SUPPORT PIPE ALONG BASIN WALL WITH 316 SS PIPE STRAPS EVERY 5'-0" AT MINIMUM. PROVIDE OPENING IN METAL GRATING FOR PIPING.
- 9 1" PVC SAMPLE RETURN LINE TO BE FIELD ROUTED BY CONTRACTOR TO LOCATION SHOWN. EXTEND SAMPLE RETURN LINE INTO BASIN, 3" BELOW TOP OF WALL. SUPPORT PIPE ALONG BASIN WALL WITH 316 SS PIPE STRAPS EVERY 5'-0" AT MINIMUM. PROVIDE OPENING IN METAL GRATING FOR PIPING.

PROVIDE NEW 6'X6' FRP BUILDING

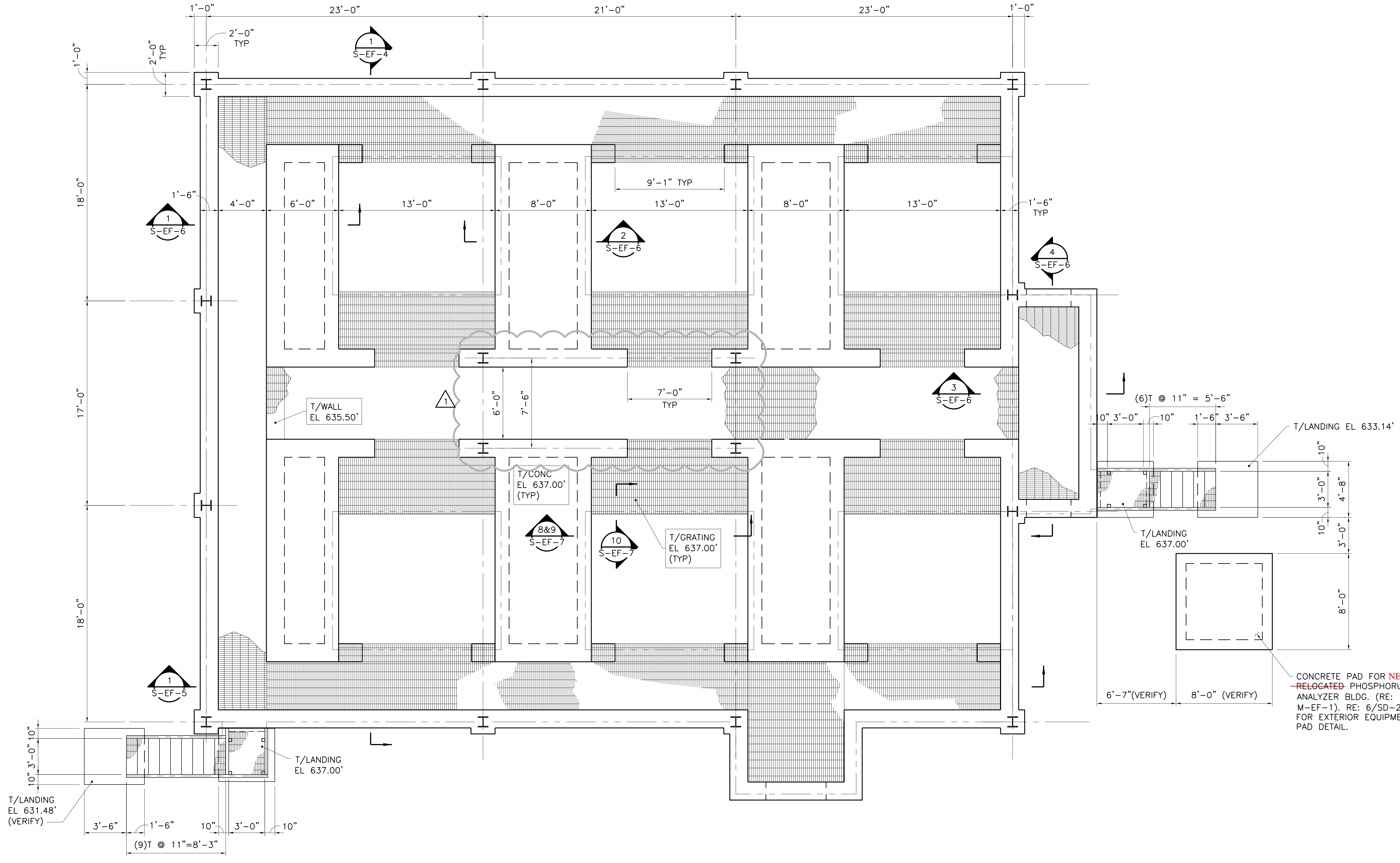
1 TOP PLAN  
 1/4"=1'-0"



CITY OF PFLUGERVILLE  
 CENTRAL WWTW EXPANSION  
 PHASE I IMPROVEMENTS  
 MECHANICAL  
 EFFLUENT FILTERS TOP PLAN

NO.	ISSUE	DATE	BY	DESIGNED	DRAWN	REVISION	CHECKED	TS
		07/17/19						

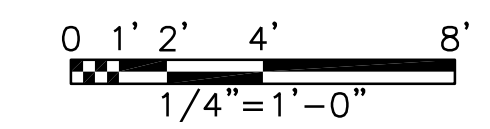
FILE NAME: WW-FILT-BSN-PL.dwg  
 VERIFY SCALE: Bar is one inch on original drawing, if not one inch on this sheet, adjust scale.  
 SHEET: M-EF-1  
 SEQ.: 161



CITY OF PELLEVILLE  
 CENTRAL WWTPL EXPANSION  
 PHASE I IMPROVEMENTS  
 STRUCTURAL  
 EFFLUENT FILTERS TOP PLAN

NO.	ISSUE	DATE	BY	DATE	BY	DATE	BY	DATE	BY
1	ISSUE								
2	ISSUE								
3	ISSUE								
4	ISSUE								
5	ISSUE								
6	ISSUE								
7	ISSUE								
8	ISSUE								
9	ISSUE								
10	ISSUE								
11	ISSUE								
12	ISSUE								
13	ISSUE								
14	ISSUE								
15	ISSUE								
16	ISSUE								
17	ISSUE								
18	ISSUE								
19	ISSUE								
20	ISSUE								
21	ISSUE								
22	ISSUE								
23	ISSUE								
24	ISSUE								
25	ISSUE								
26	ISSUE								
27	ISSUE								
28	ISSUE								
29	ISSUE								
30	ISSUE								
31	ISSUE								
32	ISSUE								
33	ISSUE								
34	ISSUE								
35	ISSUE								
36	ISSUE								
37	ISSUE								
38	ISSUE								
39	ISSUE								
40	ISSUE								
41	ISSUE								
42	ISSUE								
43	ISSUE								
44	ISSUE								
45	ISSUE								
46	ISSUE								
47	ISSUE								
48	ISSUE								
49	ISSUE								
50	ISSUE								
51	ISSUE								
52	ISSUE								
53	ISSUE								
54	ISSUE								
55	ISSUE								
56	ISSUE								
57	ISSUE								
58	ISSUE								
59	ISSUE								
60	ISSUE								
61	ISSUE								
62	ISSUE								
63	ISSUE								
64	ISSUE								
65	ISSUE								
66	ISSUE								
67	ISSUE								
68	ISSUE								
69	ISSUE								
70	ISSUE								
71	ISSUE								
72	ISSUE								
73	ISSUE								
74	ISSUE								
75	ISSUE								
76	ISSUE								
77	ISSUE								
78	ISSUE								
79	ISSUE								
80	ISSUE								
81	ISSUE								
82	ISSUE								
83	ISSUE								
84	ISSUE								
85	ISSUE								
86	ISSUE								
87	ISSUE								
88	ISSUE								
89	ISSUE								
90	ISSUE								
91	ISSUE								
92	ISSUE								
93	ISSUE								
94	ISSUE								
95	ISSUE								
96	ISSUE								
97	ISSUE								
98	ISSUE								
99	ISSUE								
100	ISSUE								

1 TOP PLAN  
 1/4" = 1'-0"







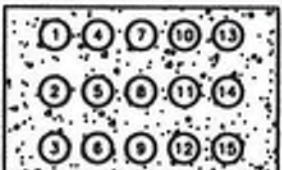




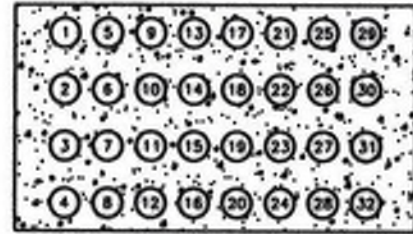




18  
E-6  
NTS



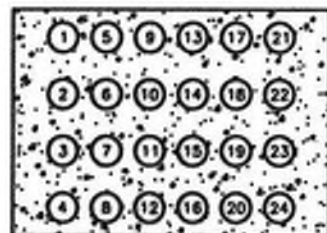
19  
E-6  
NTS



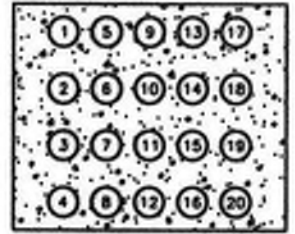
20  
E-6  
NTS



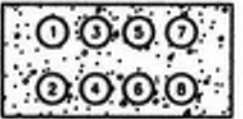
23  
E-6  
NTS



22  
E-6  
NTS



24  
E-6  
NTS



21  
E-6  
NTS

TABLE FOR SECTION 18

CONDUIT NO.	CONDUIT TAG	CONDUIT SIZE	DESCRIPTION
1	SBUVA-1P	4" C	POWER FROM SWB-LV-A TO SWB-BNR-A
2	SBUVA-1P	4" C	POWER FROM SWB-LV-A TO SWB-BNR-A
3	SBUVA-1P	4" C	POWER FROM SWB-LV-A TO SWB-BNR-A
4	SBUVA-1P	4" C	POWER FROM SWB-LV-A TO SWB-BNR-A
5	SPARE	4" C	-
6	SPARE	4" C	-

TABLE FOR SECTION 19

CONDUIT NO.	CONDUIT TAG	CONDUIT SIZE	DESCRIPTION
1	RAS511-P	2" C	POWER FROM EB1 TO RAS PUMP STATION 2
2	RAS512-P	2" C	POWER FROM EB1 TO RAS PUMP STATION 2
3	WAS511-P	2" C	POWER FROM EB1 TO RAS PUMP STATION 2
4	WAS512-P	2" C	POWER FROM EB1 TO RAS PUMP STATION 2
5	RAS511-C, RAS512-C	2" C	CONTROL SIGNALS FROM EB1 TO RAS PUMP STATION 2
6	WAS511-C, WAS512-C	2" C	CONTROL SIGNALS FROM EB1 TO RAS PUMP STATION 2
7	LPBNR-13, LPBNR-15, LPBNR-17, LPBNR-18	2" C	120V POWER TO RAS PUMP STATION 2
8	RI1-205	2" C	ANALOG SIGNALS FROM EB1 TO RAS PUMP STATION 2
9	RI1-206	2" C	-
10	LUBNR-4, LUBNR-5	2" C	UPS POWER FROM EB1 TO RAS PUMP STATION
11-15	SPARES	2" C	-

TABLE FOR SECTION 20

CONDUIT NO.	CONDUIT TAG	CONDUIT SIZE	DESCRIPTION
1	MCBNA-3P, MCBNA-4P, MCBNA-5P	2" C	POWER FROM EB1 TO BNR BASIN 3
2	MCBNA-3C, MCBNA-4C, MCBNA-5C	2" C	POWER FROM EB1 TO BNR BASIN 3
3	AER303-1P	3" C	POWER FROM EB1 TO BNR BASIN 3
4	AER303-2P	3" C	POWER FROM EB1 TO BNR BASIN 3
5	AER303-1C, AER303-2C	2" C	CONTROLS FROM EB1 TO BNR BASIN 3
6	PL-301, PL-302	2" C	ANALOG SIGNALS TO BNR BASIN 3
7	LPBNR-21, LPBNR-23, LPBNR-25, LPBNR-27, LPBNR-35	2" C	120V POWER TO BNR BASIN 3
8	LUBNR-9, LUBNR-13	3" C	UPS POWER FROM EB1 TO BNR BASIN 3
9	SBBNA-12P	2" C	POWER TO BNR BASIN 3 AND PLUG VALVE
10	PL-321	2" C	CONTROL SIGNALS TO BNR BASIN 3
11	SBBNA-9P, SBBNA-10P, SBBNA-11P	2" C	POWER FROM EB1 TO BNR BASIN 3 GATES
12	MCBNA-6P	2" C	POWER FROM EB1 TO BNR BASIN 3 RECYCLE GATE
13	PL-305, PL-307, PL-309, PL-319	2" C	CONTROL SIGNALS FROM EB1 TO BNR BASIN 4
14	PL-303, PL-304, PL-306, PL-308, PL-310, PL-320	2" C	ANALOG WIRES FROM EB1 TO BNR BASIN 3
15	LUBNR-11, LPBNR-19, LPBNR-37, LUBNR-15	2" C	120V POWER FROM EB1 TO BNR BASIN 3
16	LC1A-1, LC1A-3, LC1A-5, LC1A-7, LC1A-8, LC1A-9	2" C	BNR BASIN 3 LIGHTS
17	SBBNRB-9P, SBBNRB-10P, SBBNRB-11P	2" C	POWER FROM EB1 TO BNR BASIN 4
18	MCBNRB-6P	2" C	POWER FROM EB1 TO BNR BASIN 4 RECYCLE GATE
19	PL-405, PL-407, PL-409, PL-419	2" C	CONTROL SIGNALS FROM EB1 TO BNR BASIN 4
20	PL-403, PL-404, PL-406, PL-408, PL-410, PL-420	2" C	ANALOG SIGNALS FROM EB1 TO BNR BASIN 4
21	LUBNR-12, LPBNR-20, LPBNR-38, LUBNR-16	2" C	120V POWER FROM EB1 TO BNR BASIN 4
22	JBM-P/C	2" C	POWER FROM EB1 TO MIXED JUNCTION BOX
23	LPBNR-41, LPBNR-42, LC1A-10	2" C	120V POWER FROM EB1 TO MIXED JUNCTION BOX
24-32	SPARES	2" C	-

TABLE FOR SECTION 23

CONDUIT NO.	CONDUIT TAG	CONDUIT SIZE	DESCRIPTION
1	MCBNA-6P	2" C	POWER FROM EB1 TO BNR BASIN 3
2	PL-305, PL-307, PL-309, PL-319	2" C	DIGITAL SIGNALS FROM EB1 TO BNR BASIN 3
3	PL-303, PL-304, PL-306, PL-308, PL-310, PL-320	2" C	ANALOG SIGNALS FROM EB1 TO BNR BASIN 3
4	SBBNA-9P, SBBNA-11P, SBBNA-10P	2" C	POWER FROM EB1 TO BNR BASIN 3
5	LUBNR-11, LPBNR-15	2" C	120V POWER FROM EB1 TO BNR BASIN 3
6	LC1A-7, LC1A-9	2" C	BNR BASIN 3 LIGHTS
7,8	SPARES	2" C	-

TABLE FOR SECTION 22

CONDUIT NO.	CONDUIT TAG	CONDUIT SIZE	DESCRIPTION
1	MCBNA-3P, MCBNA-4P, MCBNA-5P	2" C	POWER FROM EB1 TO BNR BASIN 3
2	MCBNA-3C, MCBNA-4C, MCBNA-5C	2" C	POWER FROM EB1 TO BNR BASIN 3
3	AER303-1P	3" C	POWER FROM EB1 TO BNR BASIN 3
4	AER303-2P	3" C	POWER FROM EB1 TO BNR BASIN 3
5	AER303-1C, AER303-2C	2" C	CONTROLS FROM EB1 TO BNR BASIN 3
6	PL-301, PL-302	2" C	ANALOG SIGNALS TO BNR BASIN 3
7	LPBNR-21, LPBNR-23, LPBNR-25, LPBNR-27, LPBNR-35	2" C	120V POWER TO BNR BASIN 3
8	LUBNR-9, LUBNR-13	3" C	UPS POWER FROM EB1 TO BNR BASIN 3
9	SBBNA-12P	2" C	POWER TO BNR BASIN 3 AND PLUG VALVE
10	PL-321	2" C	CONTROL SIGNALS TO BNR BASIN 3
11	SBBNA-9P, SBBNA-10P, SBBNA-11P	2" C	POWER FROM EB1 TO BNR BASIN 3 GATES
12	MCBNA-6P	2" C	POWER FROM EB1 TO BNR BASIN 3 RECYCLE GATE
13	PL-305, PL-307, PL-309, PL-319	2" C	CONTROL SIGNALS FROM EB1 TO BNR BASIN 4
14	PL-303, PL-304, PL-306, PL-308, PL-310, PL-320	2" C	ANALOG WIRES FROM EB1 TO BNR BASIN 3
15	LPBNR-11, LPBNR-19, LPBNR-37	2" C	120V POWER FROM EB1 TO BNR BASIN 3
16	JBM-P/C	2" C	POWER FROM EB1 TO MIXED JUNCTION BOX
17	LPBNR-41, LPBNR-42, LC1A-10	2" C	120V POWER FROM EB1 TO MIXED JUNCTION BOX
18-24	SPARES	2" C	-

TABLE FOR SECTION 24

CONDUIT NO.	CONDUIT TAG	CONDUIT SIZE	DESCRIPTION
1	MCBNA-3P, MCBNA-4P, MCBNA-5P	2" C	POWER FROM EB1 TO BNR BASIN 3
2	MCBNA-3C, MCBNA-4C, MCBNA-5C	2" C	POWER FROM EB1 TO BNR BASIN 3
3	AER303-1P	3" C	POWER FROM EB1 TO BNR BASIN 3
4	AER303-2P	3" C	POWER FROM EB1 TO BNR BASIN 3
5	AER303-1C, AER303-2C	2" C	CONTROLS FROM EB1 TO BNR BASIN 3
6	PL-301, PL-302	2" C	ANALOG SIGNALS TO BNR BASIN 3
7	LPBNR-21, LPBNR-23, LPBNR-25, LPBNR-27, LPBNR-35	2" C	120V POWER TO BNR BASIN 3
8	LUBNR-9, LUBNR-13	3" C	UPS POWER FROM EB1 TO BNR BASIN 3
9	SBBNA-12P	2" C	POWER TO BNR BASIN 3 AND PLUG VALVE
10	PL-321	2" C	CONTROL SIGNALS TO BNR BASIN 3
11	JBM-P/C	2" C	POWER FROM EB1 TO MIXED JUNCTION BOX
12	LPBNR-41, LPBNR-42, LC1A-10	2" C	120V POWER FROM EB1 TO MIXED JUNCTION BOX
13-20	SPARES	2" C	-

TABLE FOR SECTION 29

CONDUIT NO.	CONDUIT TAG	CONDUIT SIZE	DESCRIPTION
1	JBM-P/C	2" C	POWER AND CONTROLS FROM EB1 TO JUNCTION MIXER BOX
2	LPBNR-41, LPBNR-42, LC1A-10	2" C	120V POWER FROM EB1 TO JUNCTION BOX
3	SPARE	2" C	-

TABLE FOR SECTION 21

CONDUIT NO.	CONDUIT TAG	CONDUIT SIZE	DESCRIPTION
1	SBBNRB-9P, SBBNRB-10P, SBBNRB-11P	2" C	POWER FROM EB1 TO BNR BASIN 4
2	MCBNRB-6P	2" C	POWER FROM EB1 TO BNR BASIN 4
3	PL-405, PL-407, PL-409, PL-419	2" C	CONTROL SIGNALS TO BNR BASIN 4
4	PL-403, PL-404, PL-406, PL-408, PL-410, PL-420	2" C	ANALOG SIGNALS TO BNR BASIN 4
5	LPBNR-20, LPBNR-38, LUBNR-12, LUBNR-15	2" C	POWER FROM EB1 TO BNR BASIN 4
6	LC1A-8	2" C	BNR BASIN 4 LIGHTS
7,8	SPARES	2" C	-

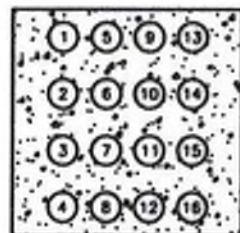
ACAD Ref 23.0a (LMS Tech) User: mechaw@freese-nichols.com  
 2/1/2019 11:55am 2/1/2019 11:55am  
 REFERENCES: 2/1/2019 Pflugerville Central WTP Expansion 2/1/2019 Pflugerville Central WTP Expansion 2/1/2019 Pflugerville Central WTP Expansion



CITY OF PFLUGERVILLE  
 CENTRAL WTP EXPANSION  
 PHASE I IMPROVEMENTS  
 ELECTRICAL  
 DUCTBANK SECTIONS - III

NO. ISSUE	DATE	BY	CHK	APP	REV
ISSUED FOR CONSTRUCTION					
VERIFY SCALE Bar is one inch on original drawings with on 1/8" = 1'-0" scale					
DATE: 08/05/19					
SCALE: 1/8" = 1'-0"					
SHEET: E-12					
XXX					

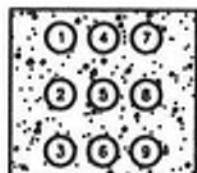




25  
E-7  
NTS

DUCTBANK SECTION

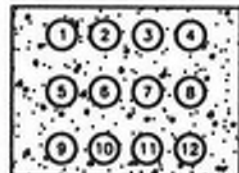
CONDUIT NO.	CONDUIT TAG	CONDUIT SIZE	DESCRIPTION
1	MCBNRA-3P, MCBNRA-4P, MCBNRA-5P	2" C	POWER FROM EB1 TO BNR BASIN 3
2	MCBNRA-3C, MCBNRA-4C, MCBNRA-5C	2" C	POWER FROM EB1 TO BNR BASIN 3
3	AER303-1P	3" C	POWER FROM EB1 TO BNR BASIN 3
4	AER303-2P	3" C	POWER FROM EB1 TO BNR BASIN 3
5	AER303-1C, AER303-2C	2" C	POWER FROM EB1 TO BNR BASIN 3
6	PL-301, PL-302	2" C	ANALOG SIGNALS TO BNR BASIN 3
7	LPBNR-21, LPBNR-23, LPBNR-25, LPBNR-27, LPBNR-33	2" C	120V POWER TO BNR BASIN 3
8	SBBNRA-12P	2" C	POWER FROM EB1 TO BNR BASIN 3 PLUG VALVE
9	PL-321	2" C	CONTROL SIGNALS TO BNR BASIN 3 PLUG VALVE
10	LC1A-1, LC1A-3, LC1A-5	2" C	BASIN LIGHTING
11	LUBNR-9, LUBNR-13	2" C	UPS POWER TO BNR BASIN 3
12-16	SPARES	2" C	-
12	SBBNRA-7P RS-2-111	2" C	Power and control wires from EB-1 to Analyzer
13	RI-2-209	2" C	Analog signals from EB-1 to Analyzer Building



26  
E-7  
NTS

DUCTBANK SECTION

CONDUIT NO.	CONDUIT TAG	CONDUIT SIZE	DESCRIPTION
1	MCBNRA-5P	2" C	POWER FROM EB1 TO BNR BASIN 3
2	MCBNRA-5C	2" C	POWER FROM EB1 TO BNR BASIN 3
3	AER303-2P	3" C	POWER FROM EB1 TO BNR BASIN 3
4	AER303-2C	2" C	POWER FROM EB1 TO BNR BASIN 3
5	PL-302	2" C	ANALOG SIGNALS TO BNR BASIN 3
6	LPBNR-21, LUBNR-33	2" C	120V POWER TO BNR BASIN 3
7	LC1A-1, LC1A-3	2" C	BNR BASIN 3 LIGHTS
8,9	SPARES	2" C	-



27  
E-7  
NTS

DUCTBANK SECTION

CONDUIT NO.	CONDUIT TAG	CONDUIT SIZE	DESCRIPTION
1	MCBNRA-3P, MCBNRA-4P	2" C	POWER FROM EB1 TO BNR BASIN 3
2	MCBNRA-3C, MCBNRA-4C	2" C	POWER FROM EB1 TO BNR BASIN 3
3	AER303-1P	3" C	POWER FROM EB1 TO BNR BASIN 3
4	AER303-1C	2" C	POWER FROM EB1 TO BNR BASIN 3
5	PL-301	2" C	ANALOG SIGNALS TO BNR BASIN 3
6	LPBNR-23, LPBNR-25, LPBNR-27	2" C	120V POWER TO BNR BASIN 3
7	SBBNRA-12P	2" C	POWER FROM EB1 TO BNR BASIN 3 PLUG VALVE
8	PL-321	2" C	CONTROL SIGNALS TO BNR BASIN 3 PLUG VALVE
9	LC1-5	2" C	BNR BASIN 3 LIGHTS
10-12	SPARES	2" C	-



25A  
E-3  
NTS

DUCTBANK SECTION

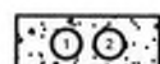
Conduit No.	Conduit Tag	Size	Description
1	SBBNRA-7P RS-2-111	2"	
2	RI-2-209	2"	Analog wires from EB-1 to Analyzer Building



29  
E-7  
NTS

DUCTBANK SECTION

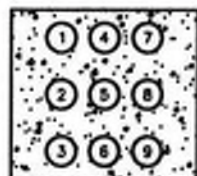
CONDUIT NO.	CONDUIT TAG	CONDUIT SIZE	DESCRIPTION
1	SBBNRA-12P	2" C	POWER SIGNALS TO BNR BASIN 3
2	PL-321	2" C	DIGITAL FROM EB1 TO BNR BASIN 3
3	LPBNR-14, LPBNR-16	2" C	POWER FROM EB1 TO SPLITTER BOX
4	SPARE	2" C	-



59  
E-7  
NTS

DUCTBANK SECTION

CONDUIT NO.	CONDUIT TAG	CONDUIT SIZE	DESCRIPTION
1	LPBNR-14	2" C	POWER SIGNALS TO NORTH SPLITTER
2	LPBNR-16	2" C	POWER TO NORTH SPLITTER



28  
E-7  
NTS

DUCTBANK SECTION

CONDUIT NO.	CONDUIT TAG	CONDUIT SIZE	DESCRIPTION
1	MCBNRA-4P, MCBNRA-3P	2" C	POWER FROM EB1 TO BNR BASIN 3
2	MCBNRA-4C, MCBNRA-3C	2" C	POWER FROM EB1 TO BNR BASIN 3
3	AER303-1P	3" C	POWER FROM EB1 TO BNR BASIN 3
4	AER303-1C	2" C	POWER FROM EB1 TO BNR BASIN 3
5	PL-301	2" C	ANALOG SIGNALS TO BNR BASIN 3
6	LPBNR-23, LPBNR-25, LPBNR-27	2" C	120V POWER TO BNR BASIN 3
7	LUBNR-13, LC1-5	2" C	BNR BASIN 3 LIGHTS
8,9	SPARES	2" C	-



30  
E-7  
NTS

DUCTBANK SECTION

CONDUIT NO.	CONDUIT TAG	CONDUIT SIZE	DESCRIPTION
1	SBBNRA-12P	2" C	POWER SIGNALS TO BNR BASIN 3
2	PL-321	2" C	DIGITAL FROM EB1 TO BNR BASIN 3



58  
E-7  
NTS

DUCTBANK SECTION

CONDUIT NO.	CONDUIT TAG	CONDUIT SIZE	DESCRIPTION
1	SG-1P	2" C	POWER TO GATES
2	SG-1C	2" C	CONTROLS TO GATES
3	SPARE	2" C	-
4	SPARE	2" C	-

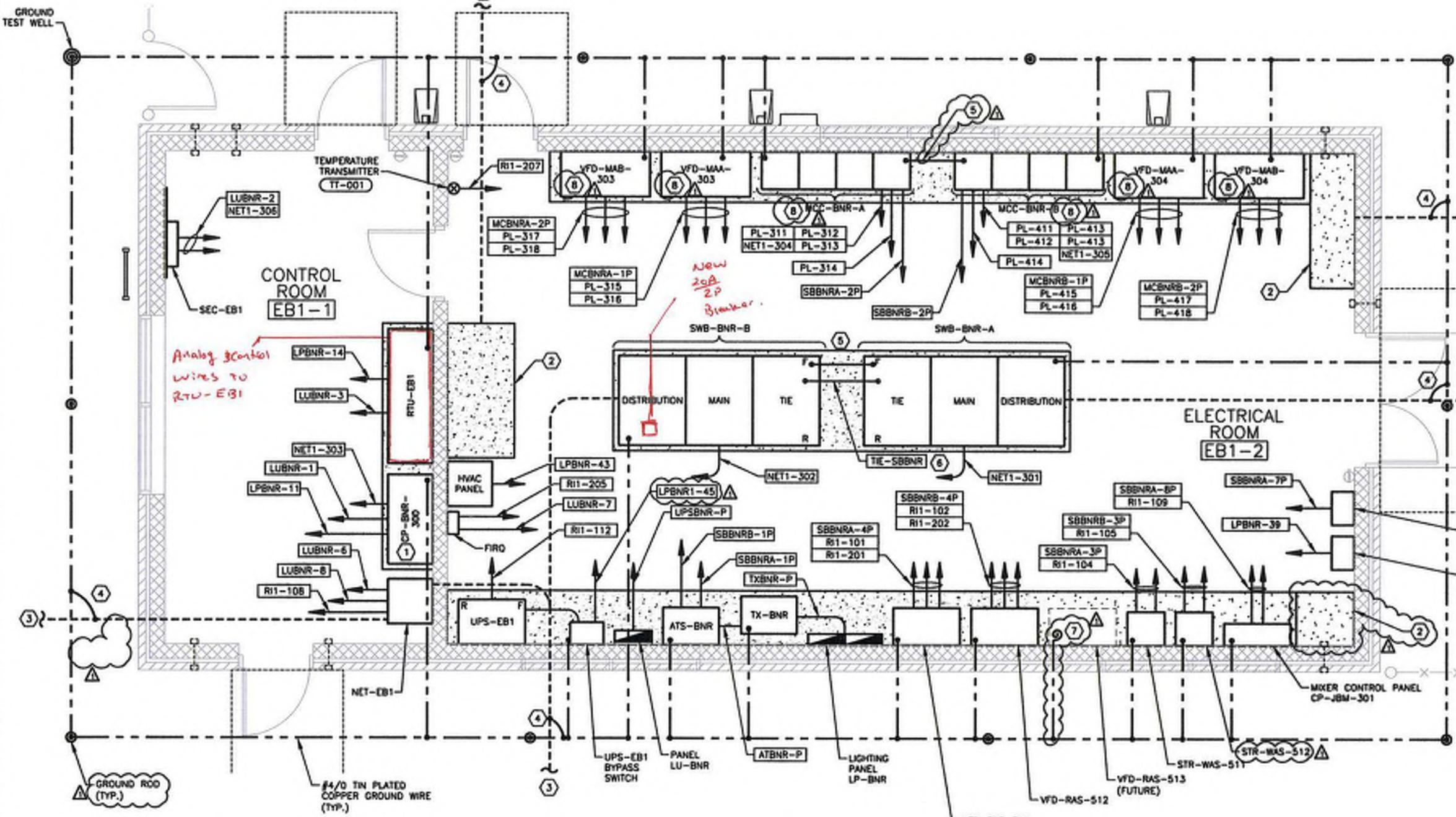
**FREESSE NICHOLS**  
19431 Nevada Circle, Suite 300  
Austin, Texas 78759  
Phone - (512) 817-3100  
Fax - (512) 817-3101

CITY OF PFLUGERVILLE  
CENTRAL WTP EXPANSION  
PHASE I IMPROVEMENTS  
ELECTRICAL  
DUCTBANK SECTIONS - IV

NO.	DATE	BY	REVISION
1	08/05/19	MAC	ISSUED FOR CONSTRUCTION
2	11/14/2018	WVG	FILED IN ORIGINAL

VERIFY SCALE Bar is one inch on original drawing if not one inch on this sheet, adjust scale.





- NOTES BY SYMBOL:**
1. FURNISHED BY BNR MANUFACTURER. REFER TO SHEET E-4B FOR INTERFACE DIAGRAM.
  2. THIS AREA IS RESERVED FOR CABLE TRAY TO CONDUIT TRANSITION.
  3. REFER TO SHEET E-3 FOR CONTINUATION.
  4. TIE GROUND LOOP TO DUCTBANK GROUND GRID.
  5. BOND EQUIPMENT TOGETHER UNDER SLAB.
  6. INSTALL CABLE BENEATH THE SLAB.
  7. PROVIDE 12" SPARE GROUND WIRE STUBBED OUT BENEATH THE SLAB.
  8. FURNISHED BY THE BNR MANUFACTURER.

**ELECTRICAL BUILDING NO.1  
POWER AND GROUNDING PLAN**  
3/8"=1'-0"

CONDUIT TAG	SHEET REFERENCE
MCBNA-XX	E-43
MCBNB-XX	E-43
SBBNA-XX	E-41, E-42
SBBNB-XX	E-41, E-42
PL-XXX	E-48
LUBNR-XX	E-46
LPBNR-XX	E-46
R1-XX	E-49



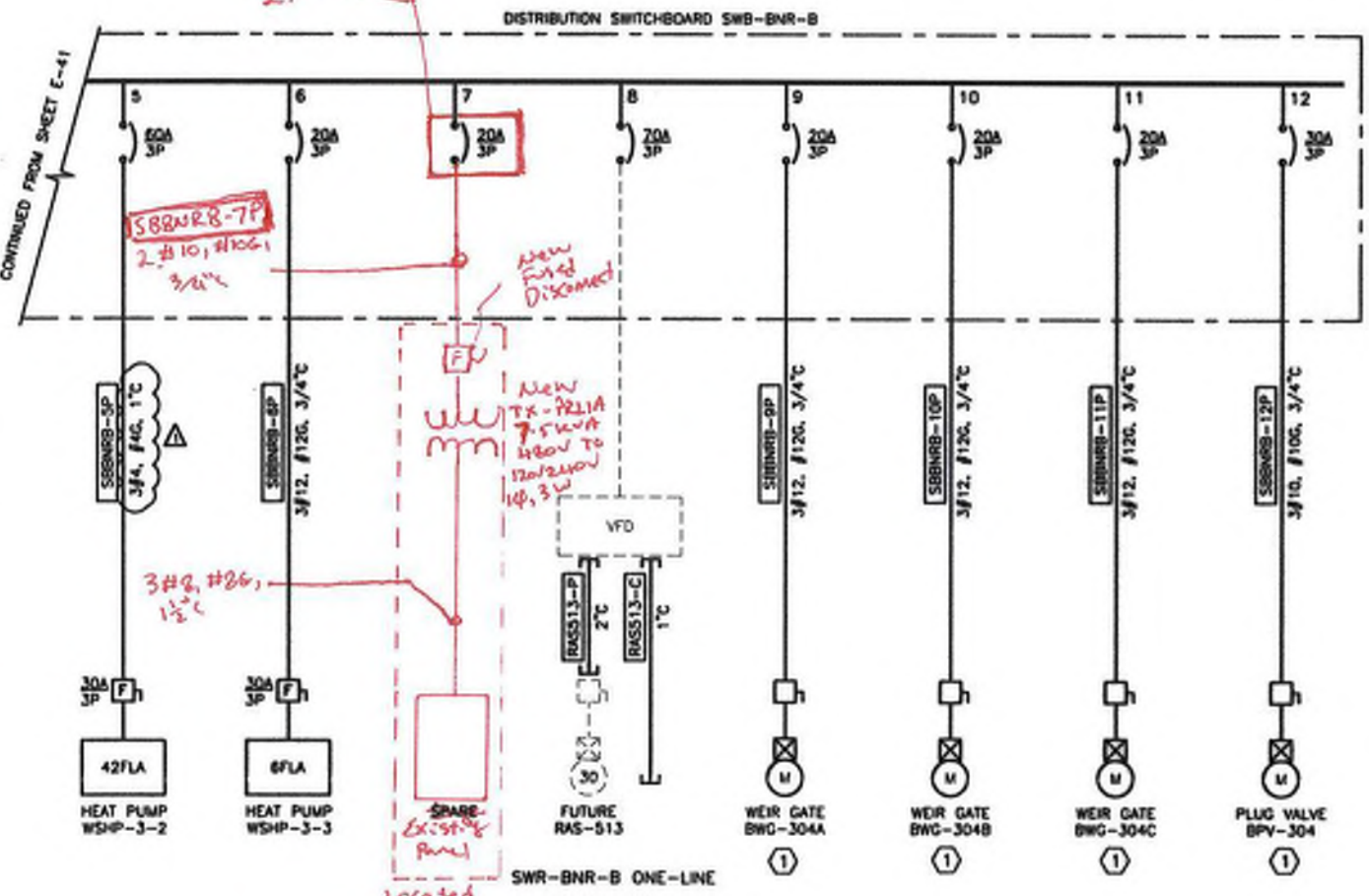
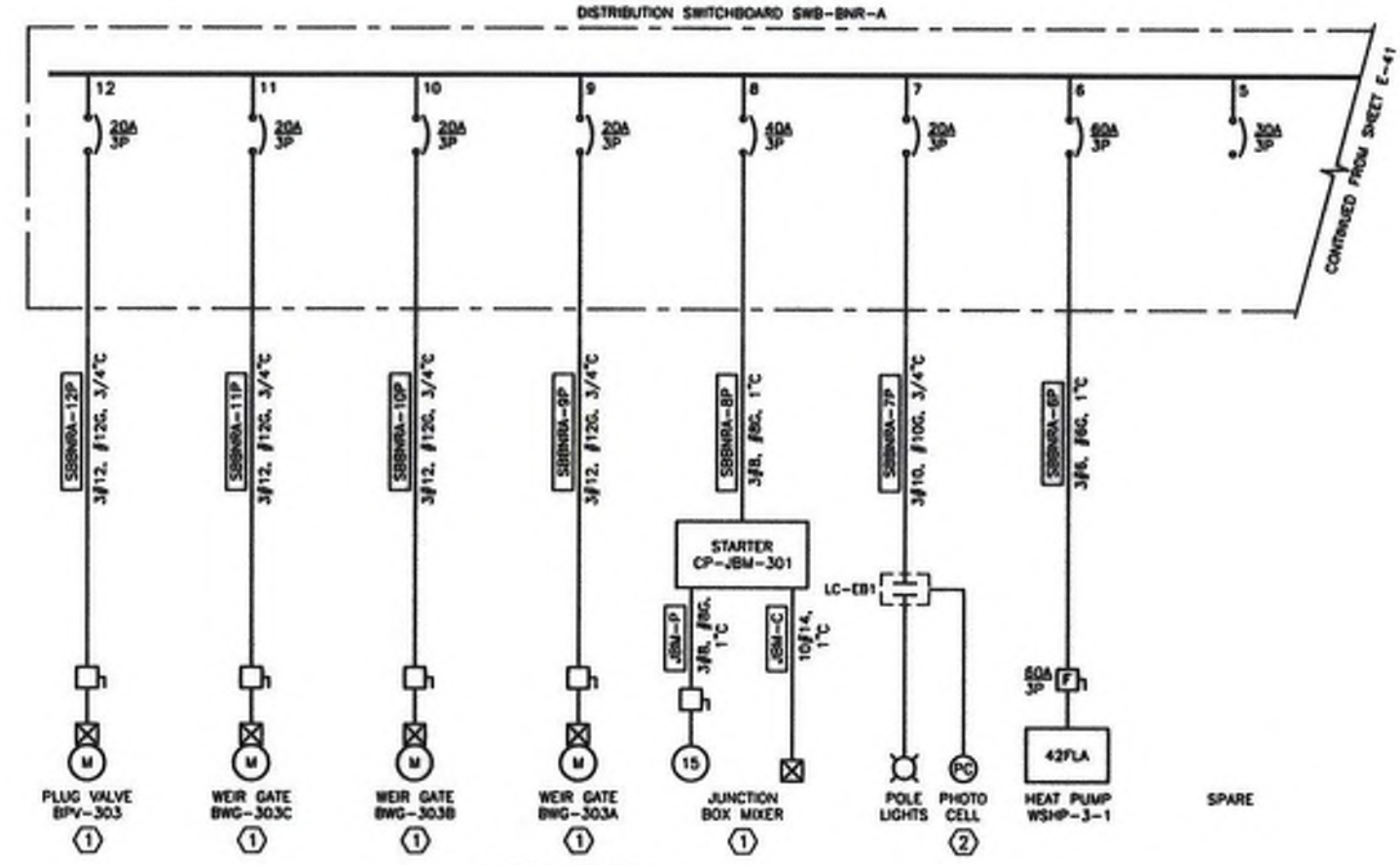
CITY OF PELUGERVILLE  
**CENTRAL WWP EXPANSION  
PHASE I IMPROVEMENTS**  
ELECTRICAL  
**ELECTRICAL BUILDING NO.1  
POWER AND GROUNDING PLAN**

NO.	ISSUE	DATE	BY	APP. NO.	DATE	BY	APP.
1	ISSUED FOR CONSTRUCTION	11/4/2019	WAG	11/4/2019	WAG	11/4/2019	WAG

FOR IS ONLY INCH ON ORIGINAL  
VERIFY SCALE FOR THIS SHEET, adjust scale.



ACAD Plot 23.1s (LMS Tech) User: mact19 Office: H:\CAD Projects\1621\_Pflugerville Central WTP Expansion\3 Drawings\Electrical\Working\1621\_E-42.dwg LAYOUT: Layout1 New 05, 2019 - 8:46am LIS: 0.5 PLS: 1 TRG: 1  
 REPRESENTATIVE: 34502008 cal.daw... 2.1.24 Symbol Library\Division: Symbols\cat-vols [Icons]\_ima\_.../dms



- NOTES BY SYMBOL:
1. REFER TO SHEET E-52 FOR ELECTRICAL SCHEMATIC.
  2. REFER TO SHEET E-60 FOR ELECTRICAL SCHEMATIC.



CITY OF PFLUGERVILLE  
 CENTRAL WTP EXPANSION  
 PHASE I IMPROVEMENTS  
 ELECTRICAL  
 SWB-BNR-A AND SWB-BNR-B  
 ONE-LINE DIAGRAM - II

NO. / ISSUE	BY	DATE	REV. NO.	DATE	DESCRIPTION
ISSUED FOR CONSTRUCTION					
VERIFY SCALE Bar is one inch on original drawing. If not one inch on this sheet, adjust scale.					
FILE NAME	1621_E-42.dwg	FILE NAME	1621_E-42.dwg	DATE	11/4/2018
DESIGNED	WVG	CHECKED	WVG	DATE	08/03/19
DRAWN	MA	DATE	08/03/19	PROJECT NO.	PFL16607



LOOP NO.	DESCRIPTION	FIELD WIRING (1/3)	RIQ-EB1 NET-EB1	NET-EB1
<b>INSIDE ELECTRICAL BUILDING NO.1</b>				
-	POWER MONITORING	SWB-BNR-A/B M1	NET1-301	
-	POWER MONITORING	SWB-BNR-A/B M1	NET1-302	
CP-BNR-300	BNR CONTROL PANEL	CP M1	NET1-303	
VFD-RAS-511	RAS PUMP NO.1	VFD C10	R1-101	
		VFD A2	R1-201	
VFD-RAS-512	RAS PUMP NO.2	VFD C10	R1-102	
		VFD A2	R1-202	
VFD-RAS-513	RAS PUMP NO.3 (FUTURE)	VFD C10	R1-103	
		VFD A2	R1-203	
STR-WAS-511	WAS PUMP NO.1	STR CB	R1-104	
STR-WAS-512	WAS PUMP NO.2	STR CB	R1-105	
NET-EB1	NETWORK ENCLOSURE	ATS C2	R1-108	
UPS-EB1	UPS ENCLOSURE	UPS C4	R1-106	
FIT-510	RAS PS 2 FLOW METER	FE R1-205A FIT A1 FIRO	R1-205	
FIT-511	WAS PUMP FLOW METER	FE R1-206A FIT A1	R1-206	
XT-001-1	SMOKE DETECTOR	XT C1	R1-107	
XT-001-2	SMOKE DETECTOR	XT C1	R1-108	
TT-001	TEMPERATURE TRANSMITTER	TT A1	R1-207	
-	JUNCTION BOX MIXER	CP C3	R1-109	
-	UPS	CP C2	R1-110 - R1-113	

LOOP NO.	DESCRIPTION	FIELD WIRING (1/3)	RIQ-EB1 NET-EB1	NET-EB1
<b>FIELD</b>				
LT-800	SODIUM HYDROCHLORIDE LEVEL	LE R1-208A FIT A1	R1-208	
-	POWER MONITORING	M1	NET1-304	
-	SECURITY PANEL	MCC M1	NET1-305	
		SCC M1	NET1-306	
	Existing Analyzer	AST A2	R12-209	
	Sample Pump Flow switch	FSL C1	R12-111	

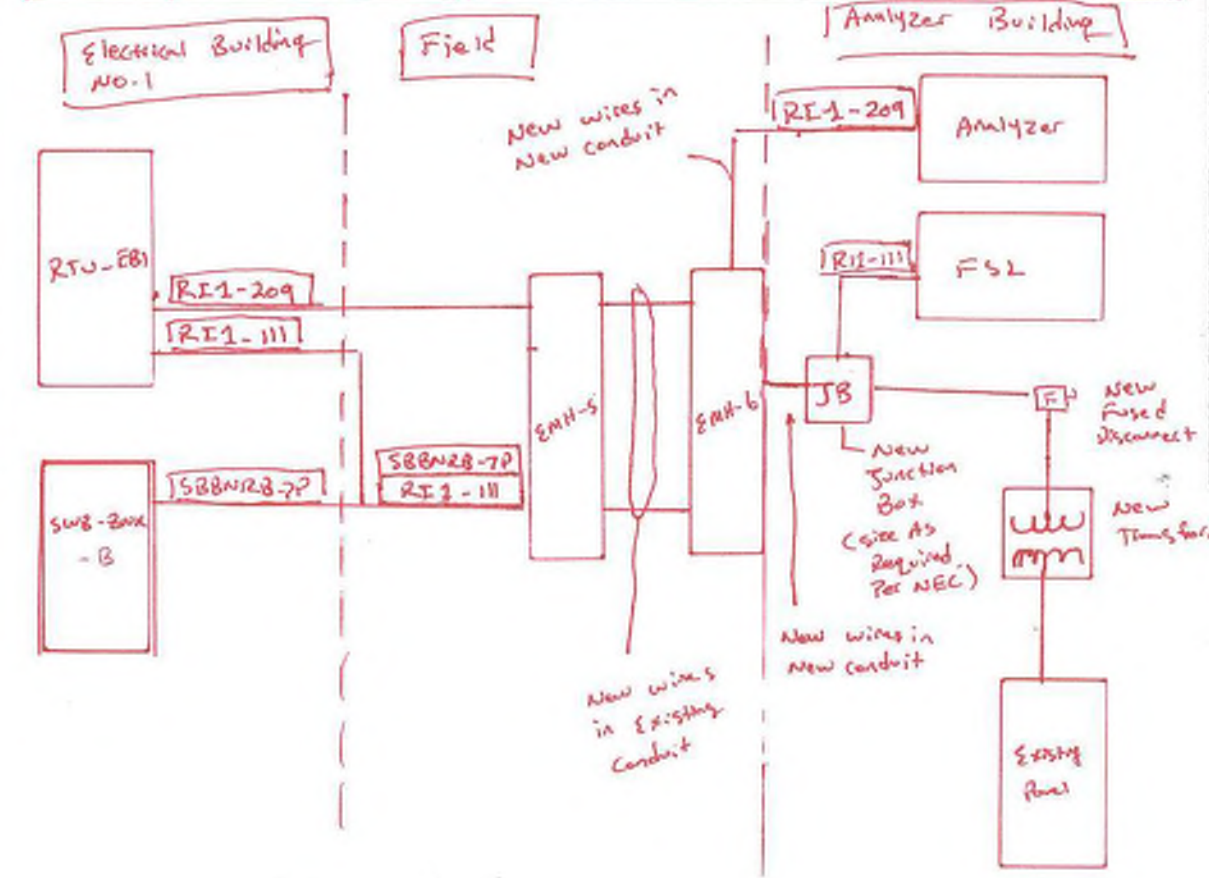
**GENERAL NOTES:**

- ALL CAT-5 AND CAT-6 CABLE PROVIDED AND INSTALLED BY OTHERS UNDER THIS CONTRACT.
- CONDUIT SIZES SHOWN ARE MINIMUM. COMBINATION OF SIMILAR CIRCUIT TYPES PERMISSIBLE. ADJUST CONDUIT SIZING ACCORDINGLY AND REFLECT FINAL CONFIGURATION ON AS-BUILT DOCUMENTATION.
- TERMINATE ALL WIRING ON TERMINAL BLOCKS INSIDE PANEL. NO NON-TERMINATED WIRES ALLOWED.
- INSTALL ALL WIRING WHETHER SHOWN ON FLOOR PLANS OR NOT.
- SUBSTITUTE CAT-6 CABLE FOR CAT-5E WHERE REQUIRED BY CONTRACT DOCUMENTS.

CONTROL & INSTRUMENTATION WIRE/CONDUIT SCHEDULE (1/4)			
C1	2#14, 3/4"	A1	1-1Pr#16 TSP, 3/4"
C2	4#14, 3/4"	A2	2-1Pr#16 TSP, 3/4"
C3	6#14, 1"	A3	3-1Pr#16 TSP, 3/4"
C4	8#14, 1"	A4	4-1Pr#16 TSP, 1"
C5	10#14, 1"	A5	5-1Pr#16 TSP, 1"
C6	12#14, 1-1/4"	A6	6-1Pr#16 TSP, 1-1/2"
C7	14#14, 1-1/4"	A7	7-1Pr#16 TSP, 2"
C8	16#14, 1-1/4"	A8	8-1Pr#16 TSP, 2"
C9	18#14, 1-1/4"	A9	9-1Pr#16 TSP, 2"
C10	20#14, 1-1/4"	A10	10-1Pr#16 TSP, 2"
C11	22#14, 1-1/2"	A11	11-1Pr#16 TSP, 2"
C12	24#14, 1-1/4"	M1	1-CAT-5e, 1"
C14	28#14, 1-1/4"	M2	2-CAT-5e, 1-1/2"
C30	60#14, 3-1/2"	M3	3-CAT-5e, 2"
C37	74#14, 4"	M4	4-CAT-5e, 2"

**CONTROL & INSTRUMENTATION WIRE/CONDUIT TABLE NOTES:**

- NOT ALL POSSIBLE COMBINATIONS ARE LISTED. INCLUDE A SEPARATE GROUND WIRE IN EACH CONDUIT RUN.  
# REPRESENTS PAIR OF WIRE  
EXAMPLE C10 = 20#14 WIRES  
EXAMPLE C20 = 40#14 WIRES  
C = CONTROL
- ANALOG CABLES ARE INTENDED TO BE INDIVIDUALLY INSULATED TWISTED SHIELDED PAIRS UNLESS OTHERWISE NOTED ON THE DRAWING.



CITY OF PFLUGERVILLE  
CENTRAL WWP EXPANSION  
PHASE I IMPROVEMENTS  
ELECTRICAL  
INTERFACE DIAGRAM - II

NO.	DATE	BY	CHK	APP	REV
1	08/05/19				
ISSUED FOR CONSTRUCTION					
APPENDIX NO. 4					
VERIFY SCALE: Bar is one inch on original drawing, if not one inch on this sheet, adjust scale.					
SHEET E-49					
SEQ. 320					

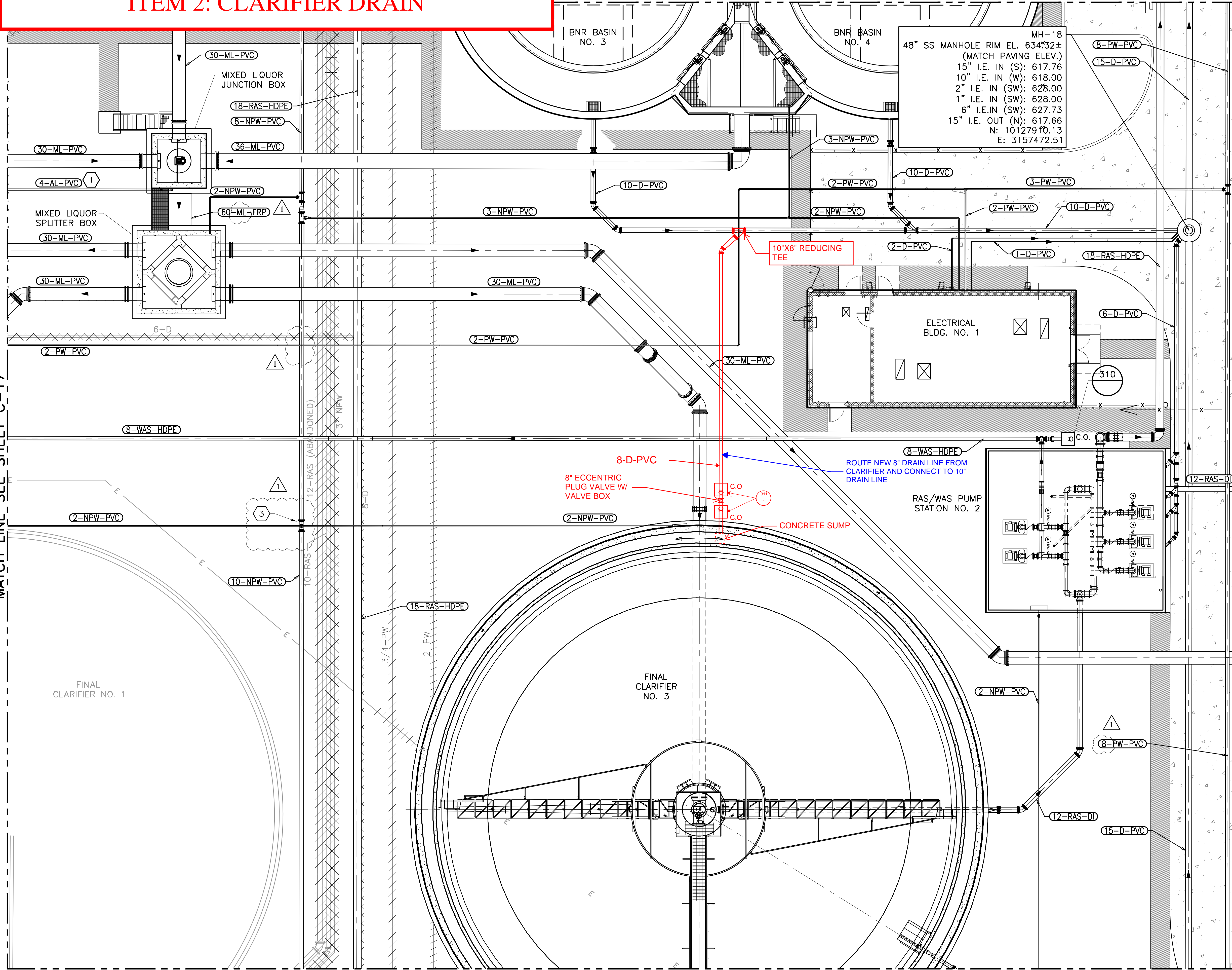
User: mchomb@fz  
 C:\Users\mchomb@fz\AppData\Local\Temp\AutoCAD LT 2019\1621\_1\_49.dwg  
 Nov 13, 2019 - 2:51am  
 LTS: 0.5  
 PLOT: 1  
 REFERENCE: 2A1621\_Pflueville\_Central\_WWP\_Expansion\_5\_Directions\Electrical\Workset\449000000.dwg

## Item 2: Clarifier Drain Line



# ITEM 2: CLARIFIER DRAIN

LINE SEE SHEET C-15



MH-18  
 48" SS MANHOLE RIM EL. 634'32±  
 (MATCH PAVING ELEV.)  
 15" I.E. IN (S): 617.76  
 10" I.E. IN (W): 618.00  
 2" I.E. IN (SW): 628.00  
 1" I.E. IN (SW): 628.00  
 6" I.E. IN (SW): 627.73  
 15" I.E. OUT (N): 617.66  
 N: 10127910.13  
 E: 3157472.51

### GENERAL NOTES:

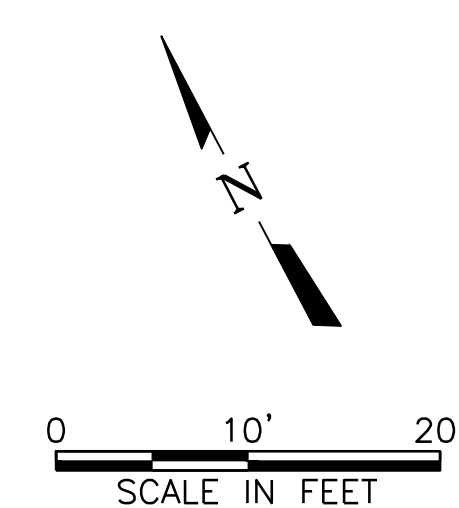
1. ALL DIMENSIONS AND ELEVATIONS SHALL BE FIELD VERIFIED AND CONFIRMED BY EQUIPMENT SUPPLIER AND CONTRACTOR, PRIOR TO MANUFACTURING AND CONSTRUCTION.
2. REFERENCE SECTION 01 35 00 FOR SPECIAL PROCEDURES AND CONSTRUCTION SEQUENCING.
3. PIPE ROUTING AND LOCATIONS ARE APPROXIMATE BASED ON EXISTING DATA.
4. AT ALL LOCATIONS PIPE IS SHOWN TO BE DEMOLISHED OR ABANDONED, CONTRACTOR TO REFER TO NOTE IN ON SHEET G-4.
5. SLOPE PIPES UNIFORMLY BETWEEN CALLED INVERT ELEVATIONS (I.E.) UNLESS NOTED OTHERWISE

### NOTES BY SYMBOL "1"

- 1 4" SCHEDULE 40 PVC CONDUIT CARRIER PIPE HOUSING TWO 1" PVC FLEXIBLE TUBINGS. ALL CARRIER PIPING SHALL HAVE LONG SWEEPING ELBOWS.
- 2 8" RESILIENT WEDGE GATE VALVE, MJ
- 3 CONNECT 2-NPW-PVC WITH 2" SERVICE CLAMPS

### LEGEND:

- PROPOSED DEMOLITION
- ABANDON IN PLACE



CITY OF PFLUGERVILLE  
 CENTRAL WWTB EXPANSION  
 PHASE I IMPROVEMENTS  
 CIVIL  
 YARD PIPING PLAN VII

NO.	ISSUE	BY	DATE	DESCRIPTION
1	ISSUE			

NO.	DATE	DESIGNED	DRAWN	REVISION	CHECKED	ED/CG
1	07/17/19	CDG	DWS			

ADDENDUM NO. 2	CG	9/4/19	FILE NAME	WW-SITE-YP-PL.dwg
VERIFY SCALE				

SHEET C-18

SEQ. 39

ACAD Ref: 21.0s (LMS Tech)  
 Filename: N:\WW\WW-SITE-YP-PL.dwg  
 Last Saved: 8/28/2019 11:58 AM  
 Saved By: 90119

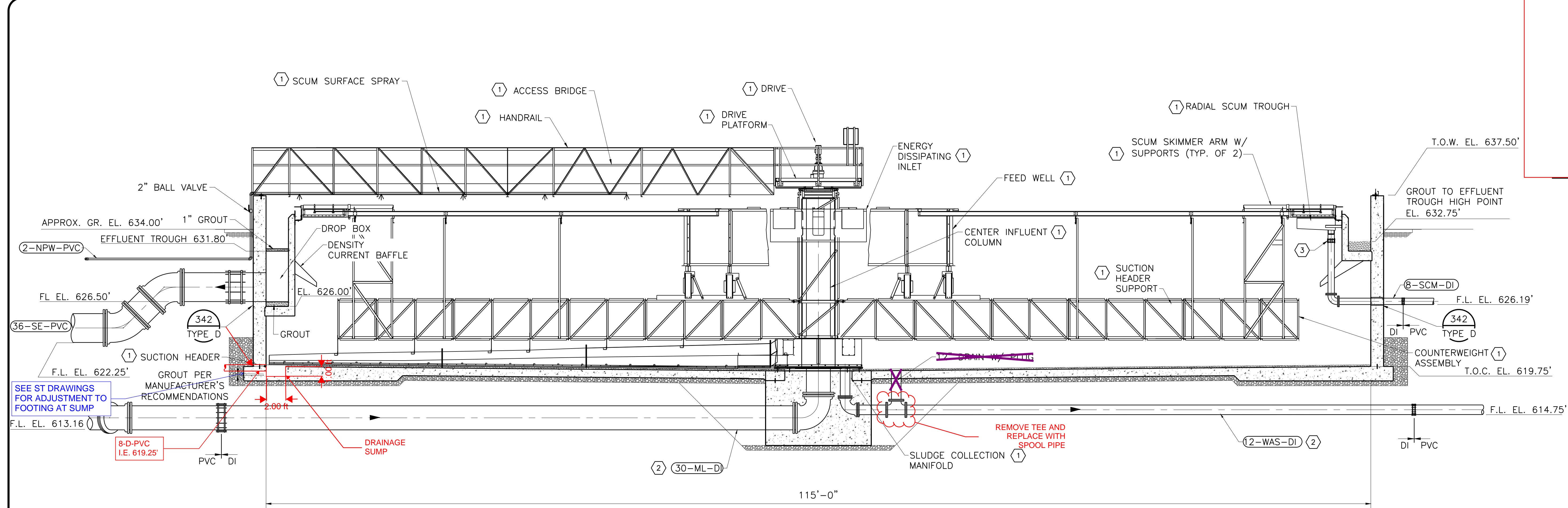








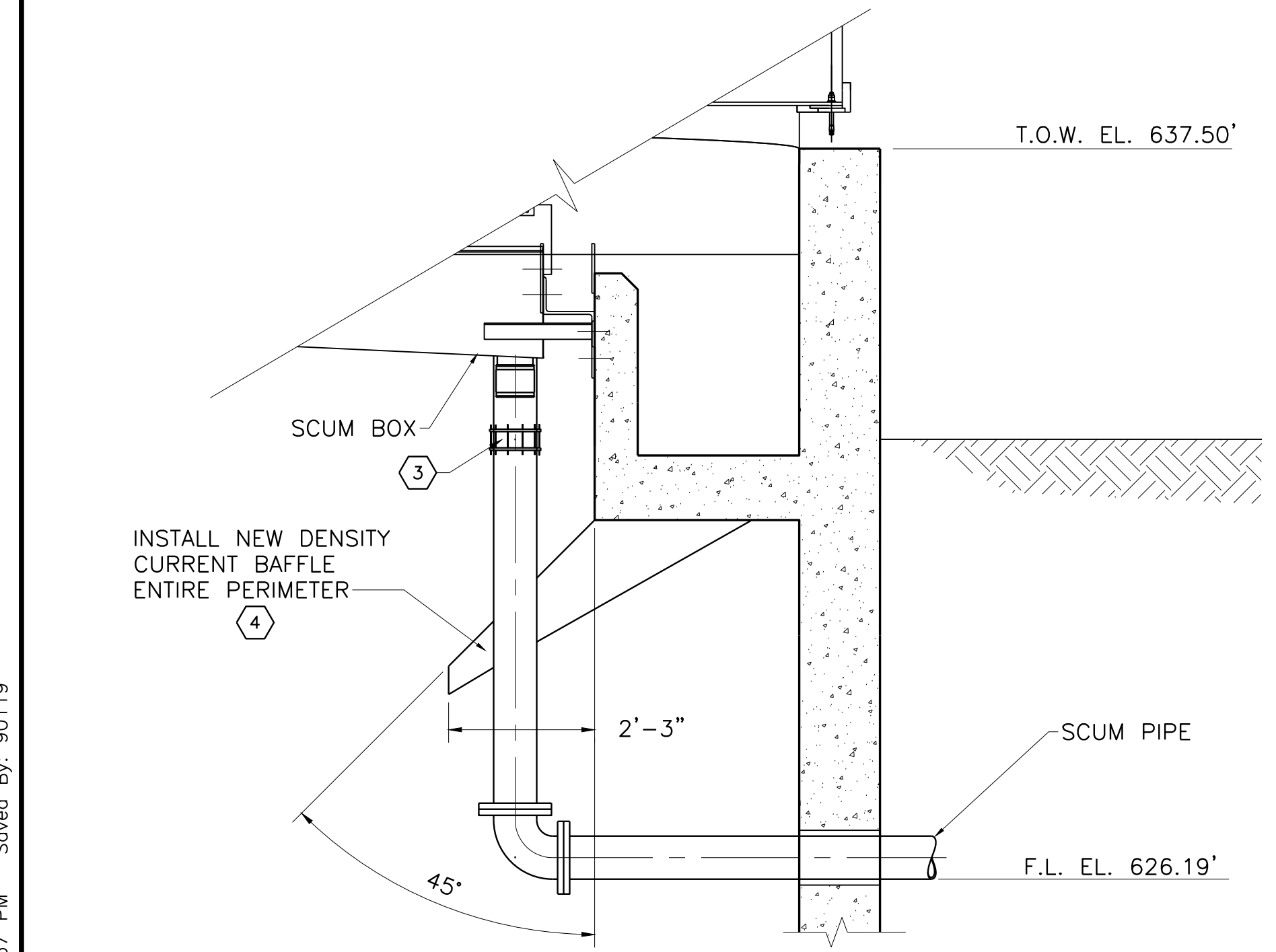




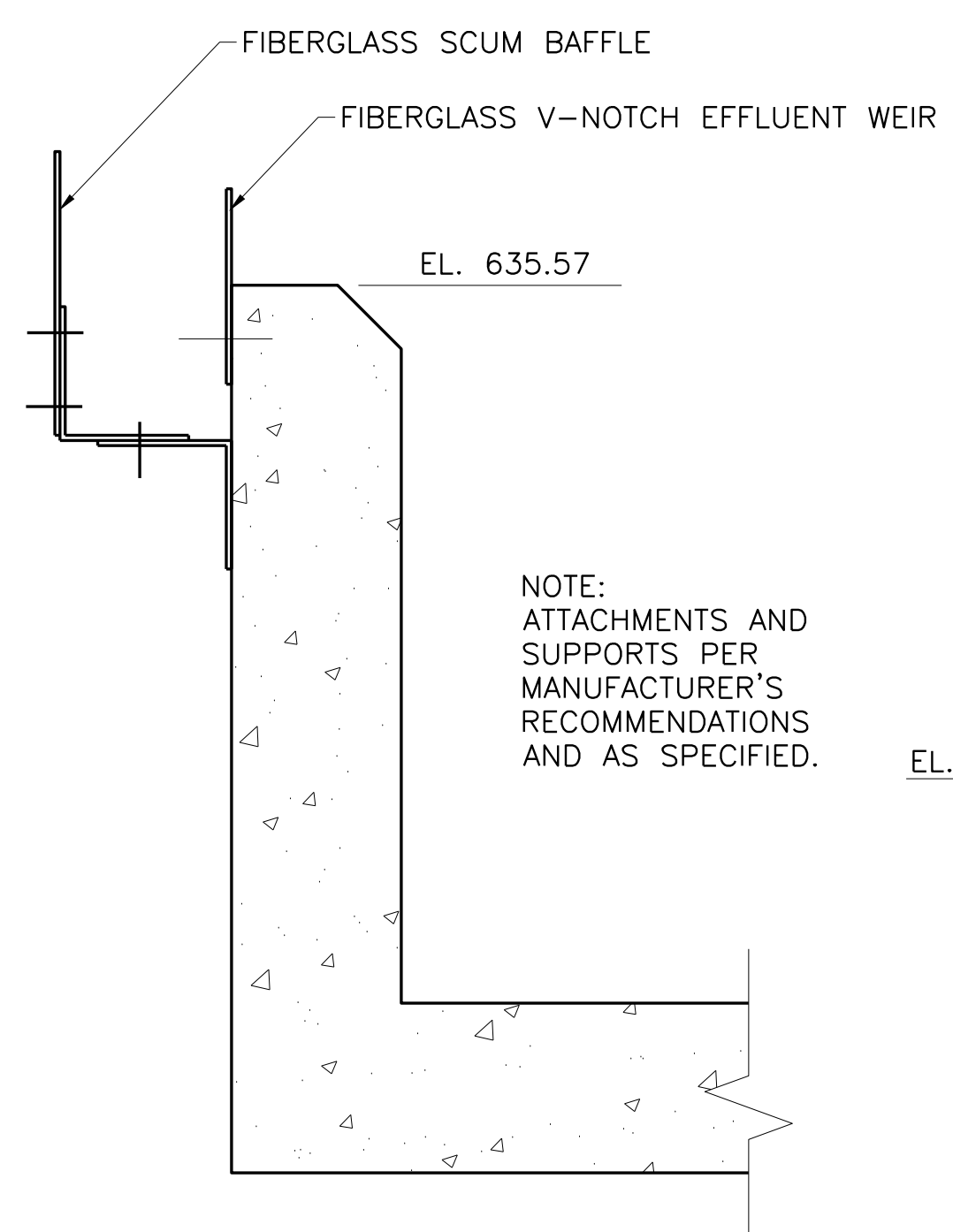
1 ILLUSTRATIVE SECTION VIEW  
3/16"=1'-0"

- GENERAL NOTES:**
- SEE PLAN VIEW ON SHEET M-FC-1 FOR ORIENTATION OF CLARIFIER COMPONENTS.
  - COORDINATE WITH CLARIFIER MECHANISM MANUFACTURER ON NECESSARY SUPPORTS FOR INFLUENT BAFFLE AND WALKWAY.
  - REFER TO SECTION 01 35 00 FOR SPECIFIC REQUIREMENTS OF SCHEDULING CONSTRUCTION ACTIVITIES.
  - CONTRACTOR SHALL COORDINATE WITH CLARIFIER MECHANISM MANUFACTURER TO PROVIDE ALL STRUCTURAL SUPPORT FOR THE CENTER WALL, SUCTION HEADER AND COUNTERWEIGHT WALKWAY, SKIMMER AND SCUM TROUGH.
  - STRUCTURAL ATTACHMENT AND BRIDGE HEIGHT SHALL BE PER MANUFACTURER'S RECOMMENDATIONS. BRIDGE SUPPORTS SHALL ALLOW FOR ADEQUATE CLEAR SPACE FOR MECHANISM ROTATION.
  - ALL FASTENERS SHALL BE 316 SS.
  - CONTRACTOR TO COORDINATE ALL EQUIPMENT BEING PROVIDED AS PART OF SUPPLIER'S SCOPE OF WORK. CONTRACTOR RESPONSIBLE TO PROVIDE ALL ADDITIONAL EQUIPMENT NECESSARY FOR A COMPLETE AND WORKING SYSTEM INCLUDING BUT NOT LIMITED TO: V-NOTCH WEIRS, SCUM BAFFLES, AND DENSITY CURRENT BAFFLES.
  - GROUT EFFLUENT TROUGH TO PROVIDE A 0.5% SLOPE FROM THE HIGH POINT OF 632.75 TO THE DROP BOX.

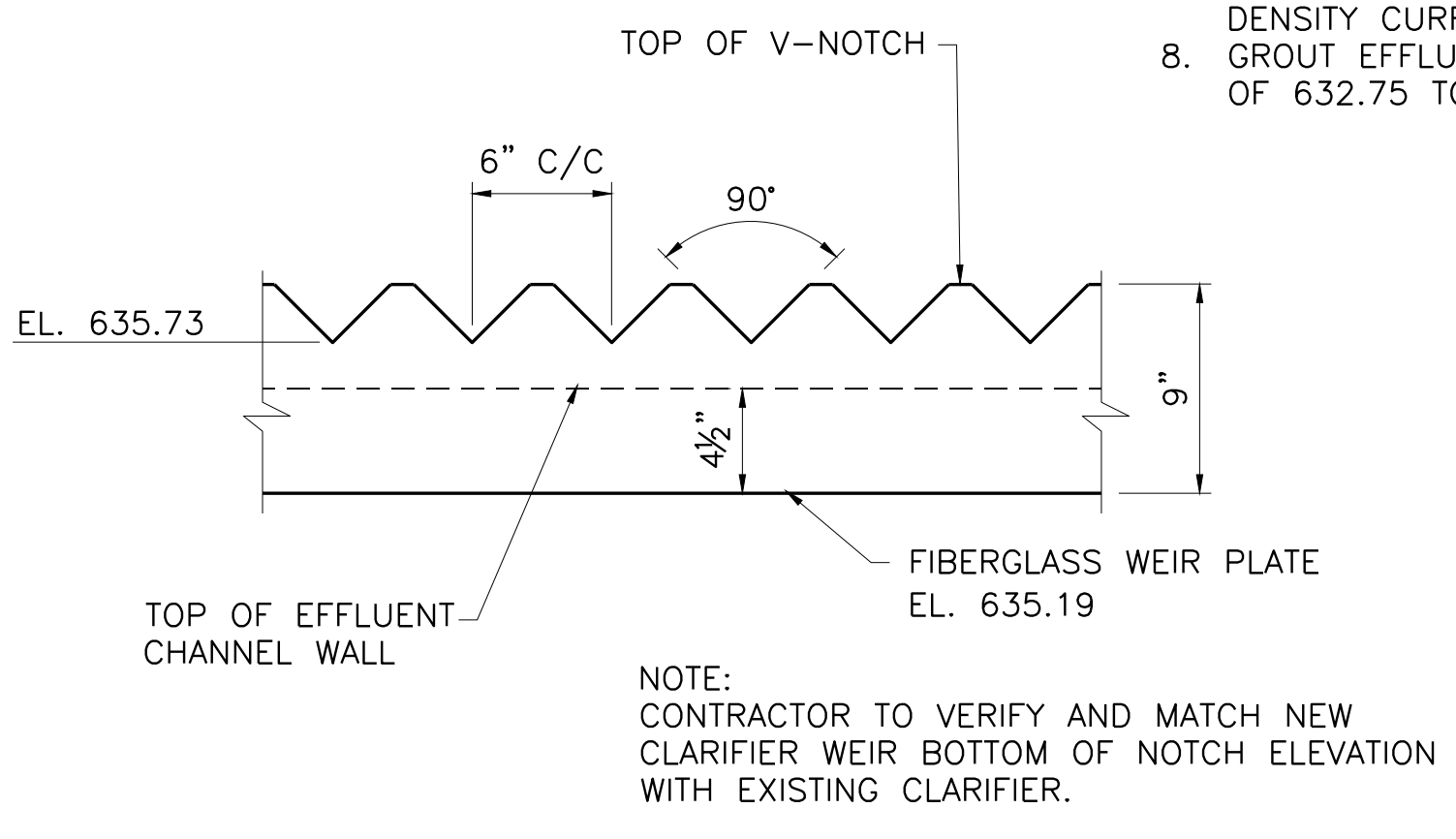
- NOTES BY SYMBOL "X":**
- PROVIDED BY CLARIFIER EQUIPMENT SUPPLIER.
  - CONCRETE ENCASE PIPING UNDER CLARIFIER
  - FLEXIBLE COUPLING, DRESSER STYLE OR EQUIVALENT
  - WHEN INSTALLING DENSITY CURRENT BAFFLE, CONTRACTOR TO TRIM AROUND OBSTRUCTIONS SUCH AS SCUM PIPE AND EFFLUENT DROP BOX.



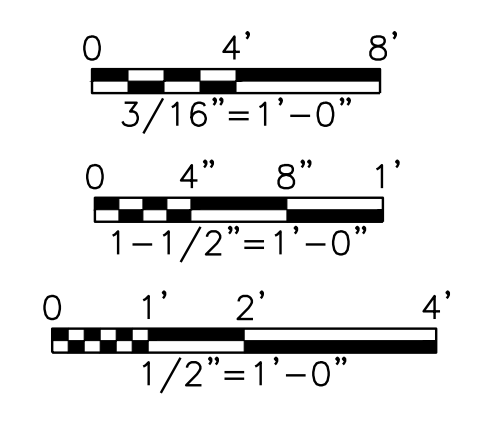
2 SECTION  
M-FC-2 1/2"=1'-0"



3 EFFLUENT WEIR  
M-FC-2 1-1/2"=1'-0"



4 DETAIL  
M-FC-2 1-1/2"=1'-0"



**FRESE & NICHOLS**  
10431 Morado Circle, Suite 300  
Austin, Texas 78759  
Phone - (512) 617-3100  
Fax - (512) 617-3101

CITY OF PFLUGERVILLE  
**CENTRAL WWTG EXPANSION**  
PHASE I IMPROVEMENTS  
MECHANICAL  
**FINAL CLARIFIER NO. 3**  
SECTIONS AND DETAILS

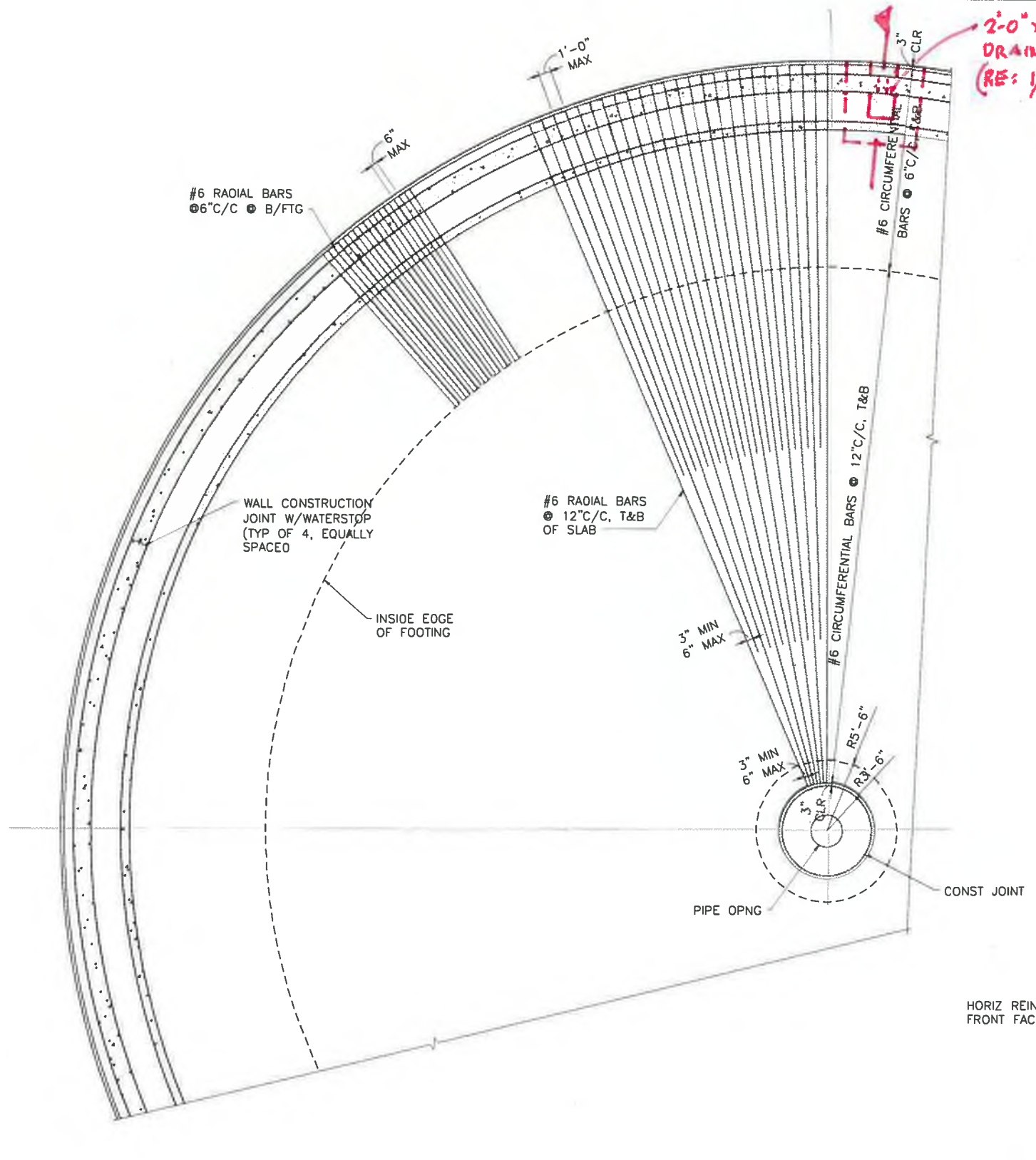
NO.	ISSUE	DATE	BY	DESIGNED	DRAWN	REVISION	CHECKED	FILE NAME
1		07/17/19		HMS	MCA			WW-CLA-SC.dwg

SHEET  
**M-FC-2**  
SEQ. 144

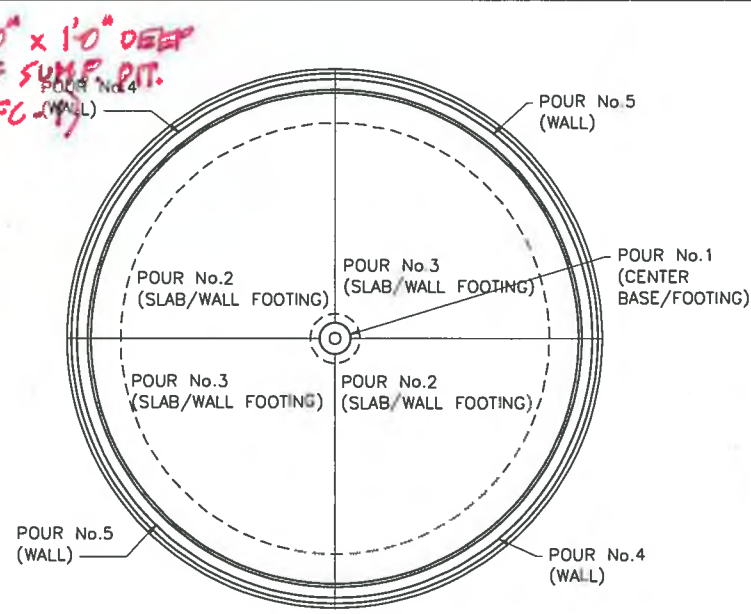
ISSUED FOR BID

ACAD: Rel: 21.0s (LMS Tech)  
Filename: N:\WW\WW-CLA-SC.dwg  
Last Saved: 7/15/2019 12:57 PM  
Saved By: 90119

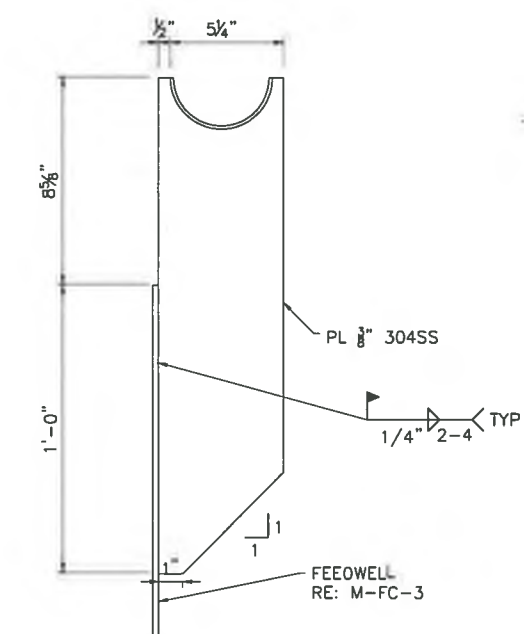
ALAU Ref: 21.05 (LMS Tech)  
 Filename: N:\ST\ST-CLA-PL-FNDN.dwg  
 Last Saved: 8/2/2019 3:16 PM  
 Saved By: 02496



1 - CLARIFIER PARTIAL PLAN - SLAB REINFORCING  
 3/16" = 1'-0"

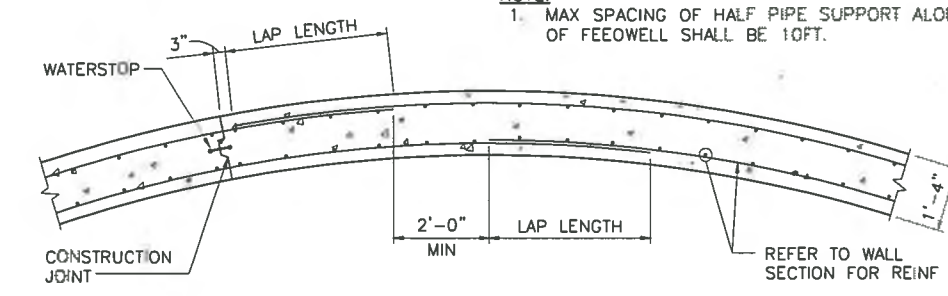


2 - SLAB AND WALL PLACING SEQUENCE AND PLAN  
 NOT TO SCALE



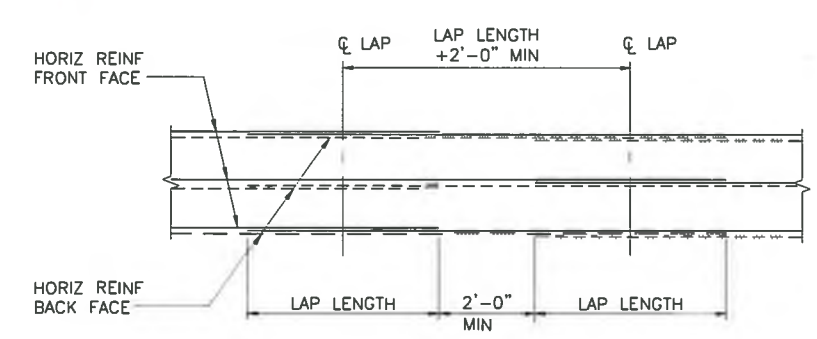
6 - HALF PIPE SUPPORT  
 3" = 1"

NOTE:  
 1. MAX SPACING OF HALF PIPE SUPPORT ALONG PERIMETER OF FEEWELL SHALL BE 10FT.



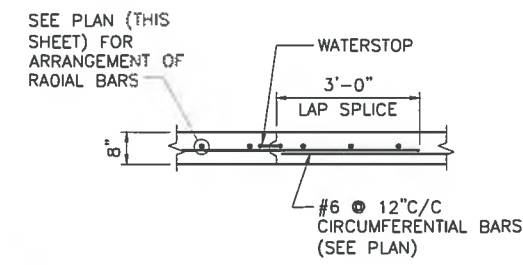
3 - VERTICAL CONSTRUCTION JOINT IN WALL DETAIL  
 NOT TO SCALE

NOTE:  
 REFER TO WALL ELEVATION-TYPICAL HORIZ BAR SPLICE

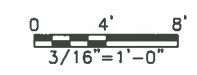


4 - WALL ELEVATION - TYPICAL HORIZ BAR SPLICE  
 NOT TO SCALE

NOTE:  
 WHEN SPLICING HORIZ BARS, SPLICING SHALL BE STAGGERED IN RELATION TO BARS IN THE SAME FACE AND ALSO STAGGERED IN OPPOSITE FACE. REFER TYPICAL VERTICAL CONSTRUCTION JOINT IN WALL DETAIL.



5 - CONSTRUCTION JOINT IN SLAB DETAIL  
 NOT TO SCALE



**FRESE NICHOLS**  
 10431 Mercedes Circle, Suite 300  
 Austin, Texas 78759  
 Phone - (512) 617-3100  
 Fax - (512) 617-3101

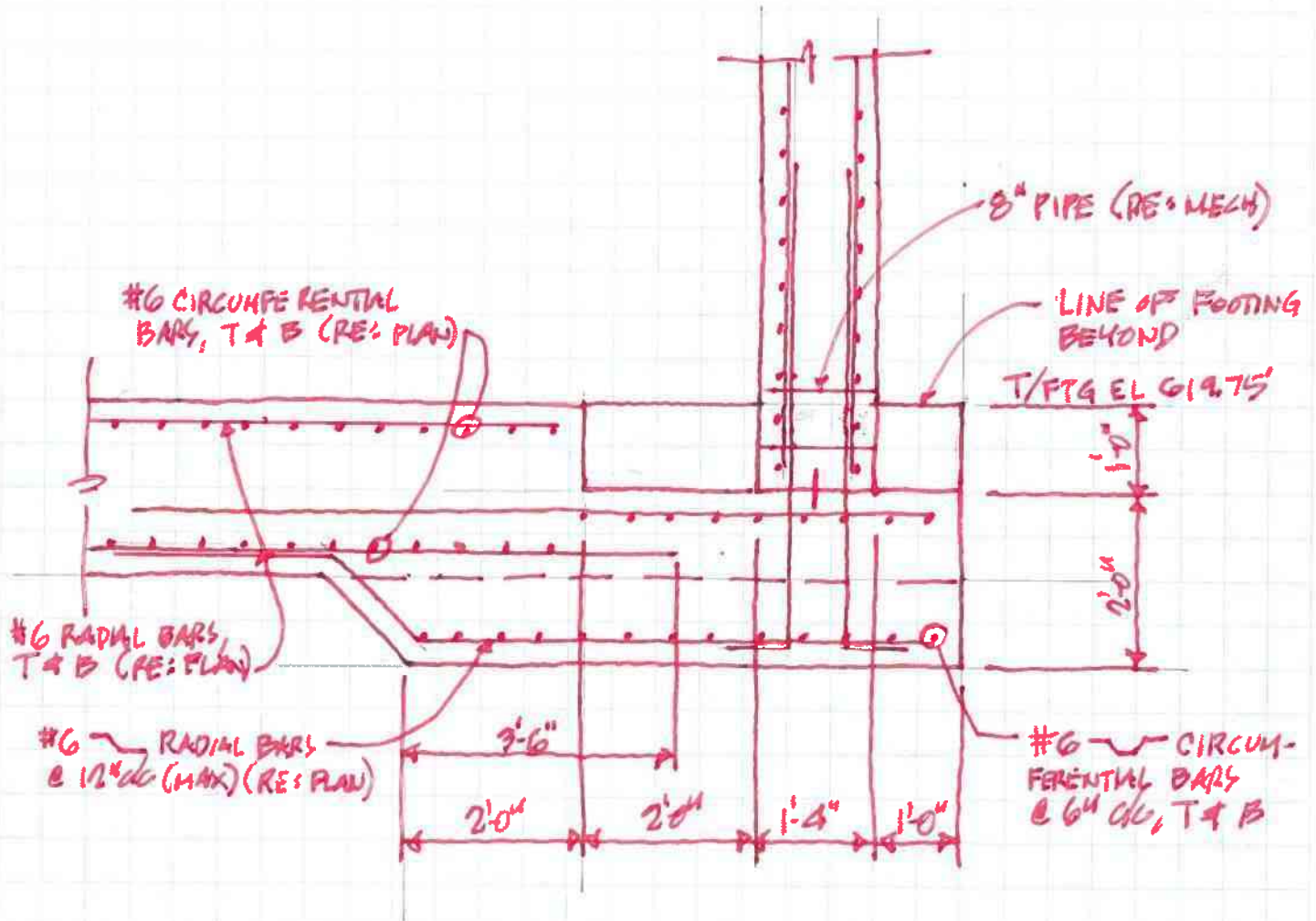
CITY OF PFLUGERVILLE  
 CENTRAL WWTPL EXPANSION  
 PHASE I IMPROVEMENTS  
 STRUCTURAL  
 FINAL CLARIFIERS  
 PLAN AND SECTIONS

REV	DATE	BY	CHKD	APPD	DESCRIPTION
0	07/17/19	JLM	MFR	ALD	Bar is one inch on original drawing, if not one inch on this sheet, adjust scale.



Title: \_\_\_\_\_  
\_\_\_\_\_  
\_\_\_\_\_

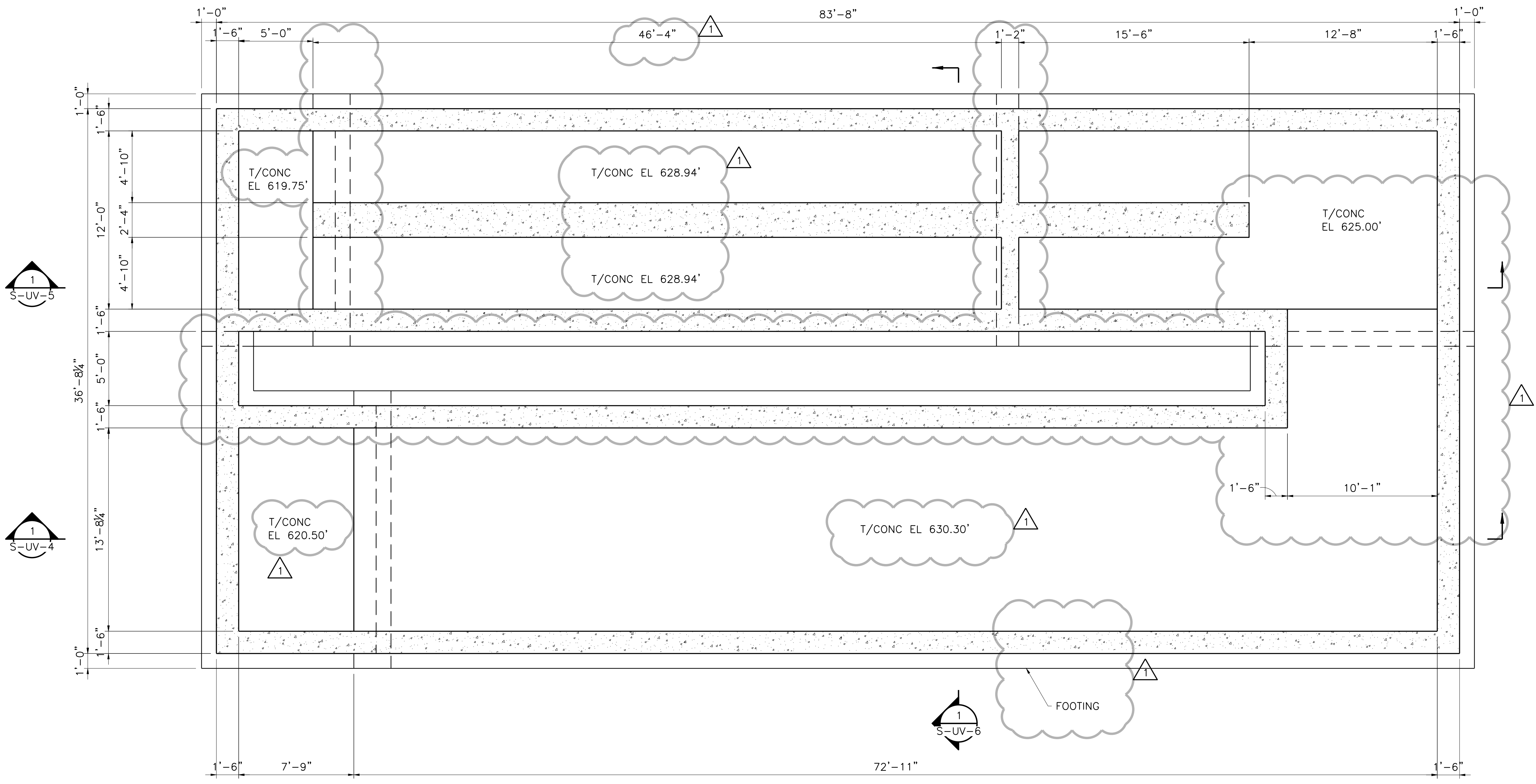
Date: \_\_\_\_\_  
By: \_\_\_\_\_  
✓ \_\_\_\_\_



SECTION AT DRAINAGE SUMP PIT

## Item 3: UV Structural Drawing Correction

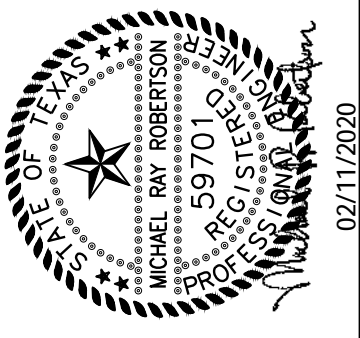
ACAD: Rel: 21.0s (LMS Tech)  
 Filename: N:\ST\ST-UVB-PL-FNDN.dwg  
 Last Saved: 2/10/2020 2:30 PM Saved By: 02198



  FOUNDATION PLAN EL 630.50'  
 1/4" = 1'-0"

0 1' 2' 4' 8'  
 1/4" = 1'-0"

Freese and Nichols, Inc.  
 Texas Registered Engineering Firm F-2144



**FREES & NICHOLS**  
 10431 Marado Circle, Suite 300  
 Austin, Texas 78759  
 Phone - (512) 617-3100  
 Fax - (512) 617-3101

CITY OF PFLUGERVILLE  
**CENTRAL WWTB EXPANSION  
 PHASE I IMPROVEMENTS**  
 STRUCTURAL  
**UV DISINFECTION BASIN & SYSTEM  
 FOUNDATION PLAN**

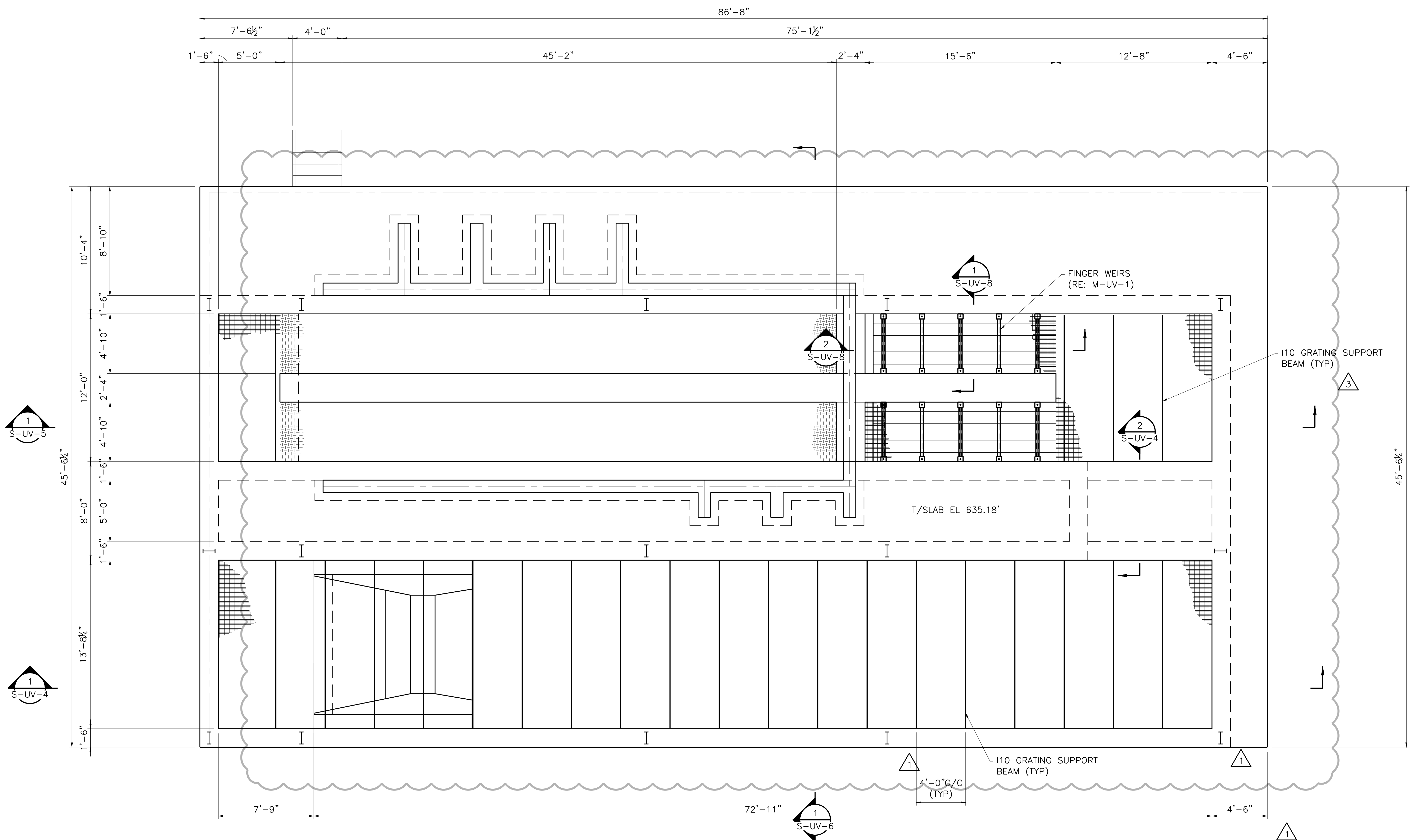
NO.	ISSUE	BY	DATE	ISSUE NO.	DATE	DESIGNED	DRAWN	REVISION	CHECKED	AD
				PFL16607	07/17/19	MRR	JLM			
1	RCP NO. 1 - ITEM NO. 3	MRR	02/10/20							
VERIFY SCALE: Bar is one inch on original drawing, if not one inch on this sheet, adjust scale.										
FILE NAME: ST-UVB-PL-FNDN.dwg										

SHEET  
**S-UV-1**

ISSUED FOR BID

SEQ. 181

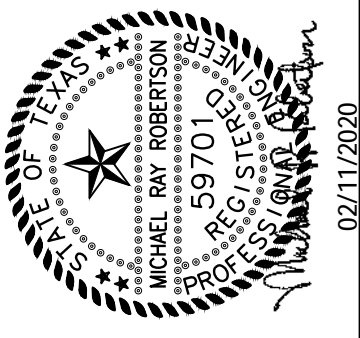
ACAD: Rel: 21.0s (LMS Tech)  
 Filename: N:\ST\ST-UVB-PL-TOPP.dwg  
 Last Saved: 2/10/2020 2:07 PM. Saved By: 02198



TOP PLAN  
 1/4" = 1'-0"

0 1' 2' 4' 8'  
 1/4" = 1'-0"

Freese and Nichols, Inc.  
 Texas Registered Engineering Firm F-2144



**FREES & NICHOLS**  
 10431 Marado Circle, Suite 300  
 Austin, Texas 78759  
 Phone - (512) 617-3100  
 Fax - (512) 617-3101

CITY OF PFLUGERVILLE  
 CENTRAL WWTB EXPANSION  
 PHASE I IMPROVEMENTS  
 STRUCTURAL  
 UV DISINFECTION BASIN & SYSTEM  
 TOP PLAN

NO.	ISSUE	BY	DATE	ISSUE NO.	DATE	DESIGNED	DRAWN	CHECKED	AD
1	ISSUED FOR CONSTRUCTION	MRR	02/10/20	MRR	07/17/19	MRR	JLM		
2	ADDENDUM NO. 2	MRR	11/04/19	MRR	09/04/19				

Bar is one inch on original drawing. If not one inch on this sheet, adjust scale.

VERIFY SCALE

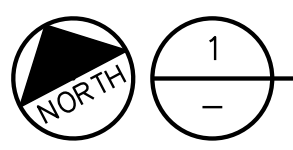
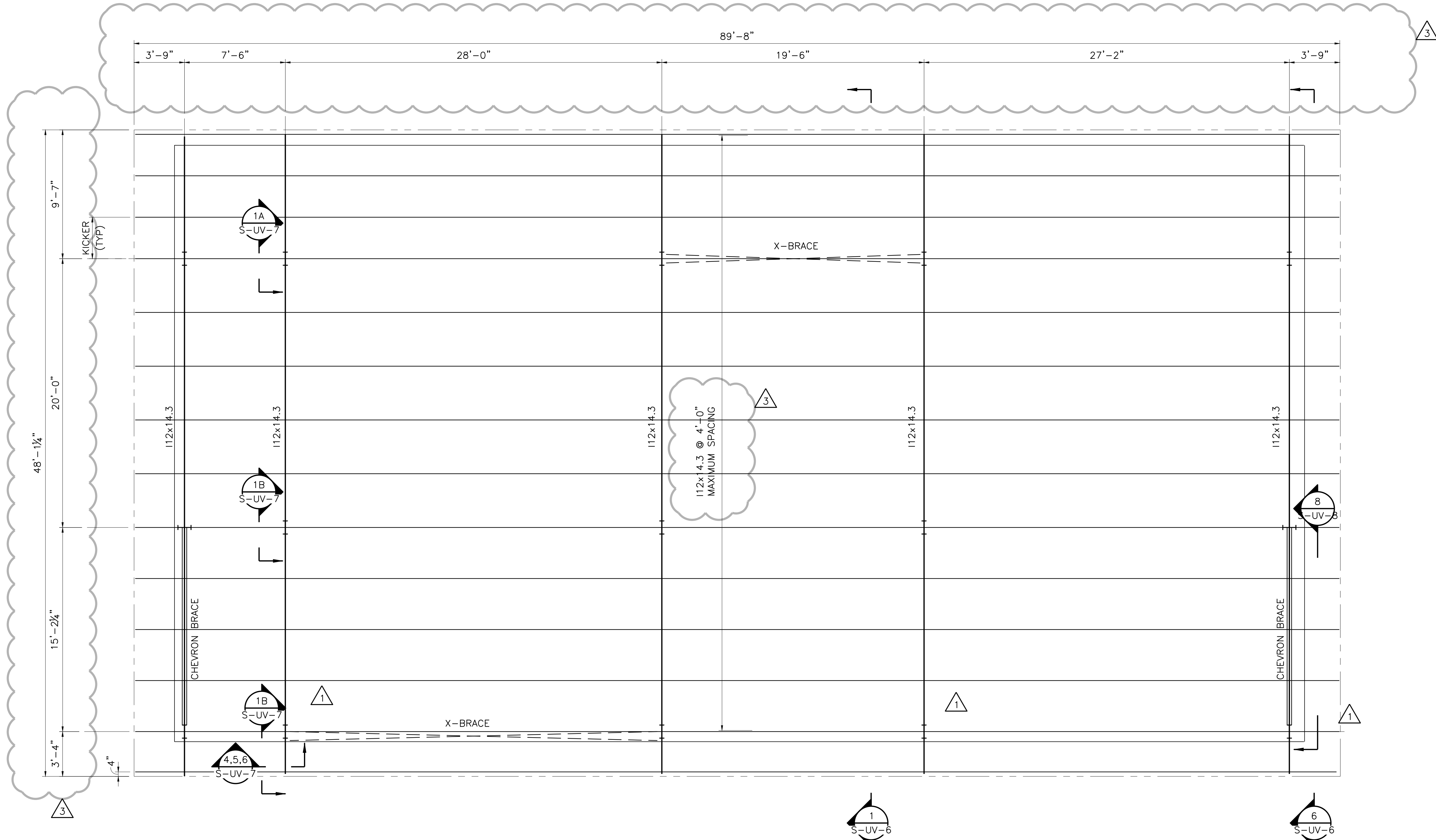
FILE NAME: ST-UVB-PL-TOPP.dwg

SHEET: S-UV-2

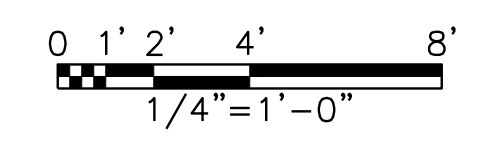
SEQ. 182

ISSUED FOR BID

ACAD: Rel: 21.0s (LMS Tech)  
 Filename: N:\ST\ST-UVB-PL-FRMG.dwg  
 Last Saved: 2/10/2020 2:10 PM Saved By: 02198



**CANOPY FRAMING PLAN**  
 1/4" = 1'-0"



NO.	ISSUE	BY	DATE	P&A	JOB NO.
1	ISSUED FOR CONSTRUCTION	MRR	02/10/20	DESIGNED	MRR
2	ADDENDUM NO. 2	MRR	11/04/19	DRAWN	JLM
3	VERIFY SCALE	MRR	09/04/19	REVISION	AD

Bar is one inch on original drawing, if not one inch on this sheet, adjust scale.

CITY OF PFLUGERVILLE  
**CENTRAL WWTG EXPANSION**  
**PHASE I IMPROVEMENTS**  
 STRUCTURAL  
**UV DISINFECTION BASIN**  
**CANOPY FRAMING PLAN**

**FREESSE & NICHOLS**  
 10431 Morado Circle, Suite 300  
 Austin, Texas 78759  
 Phone - (512) 617-3100  
 Fax - (512) 617-3101

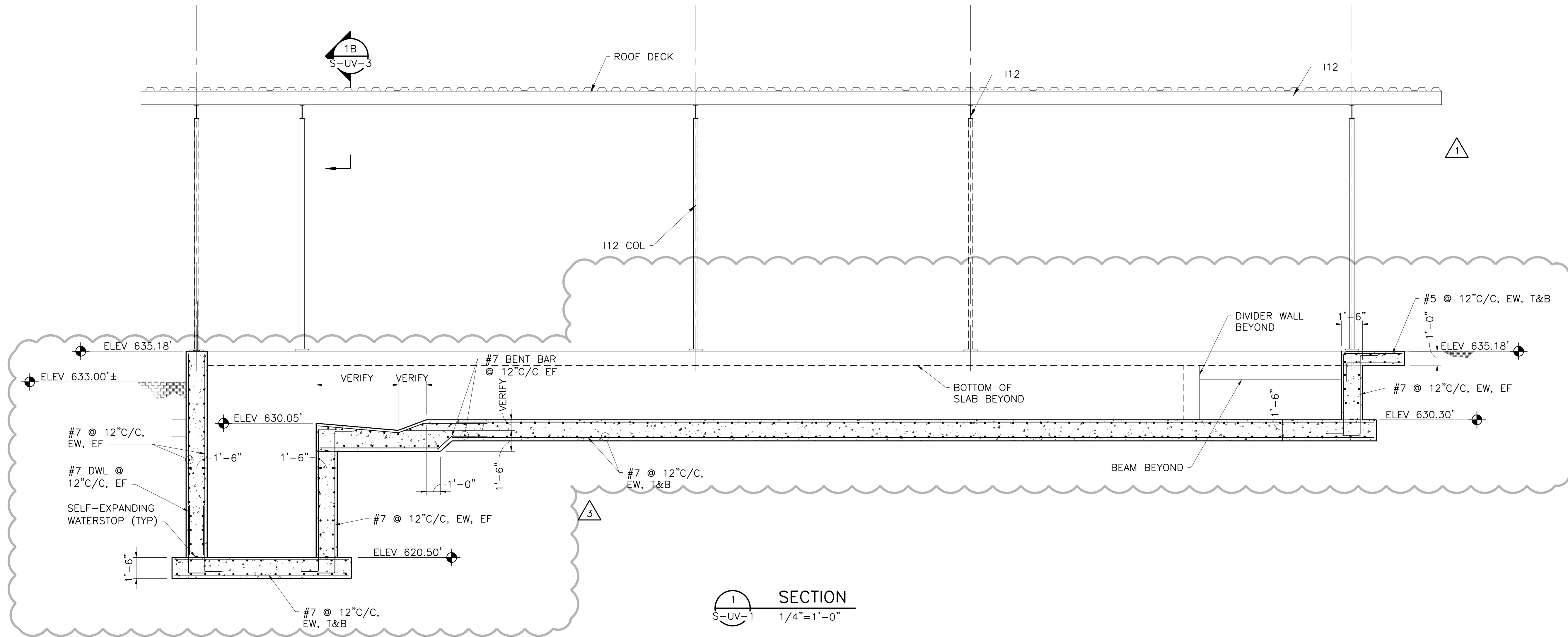
Freese and Nichols, Inc.  
 Texas Registered Engineering Firm F-2144

02/11/2020

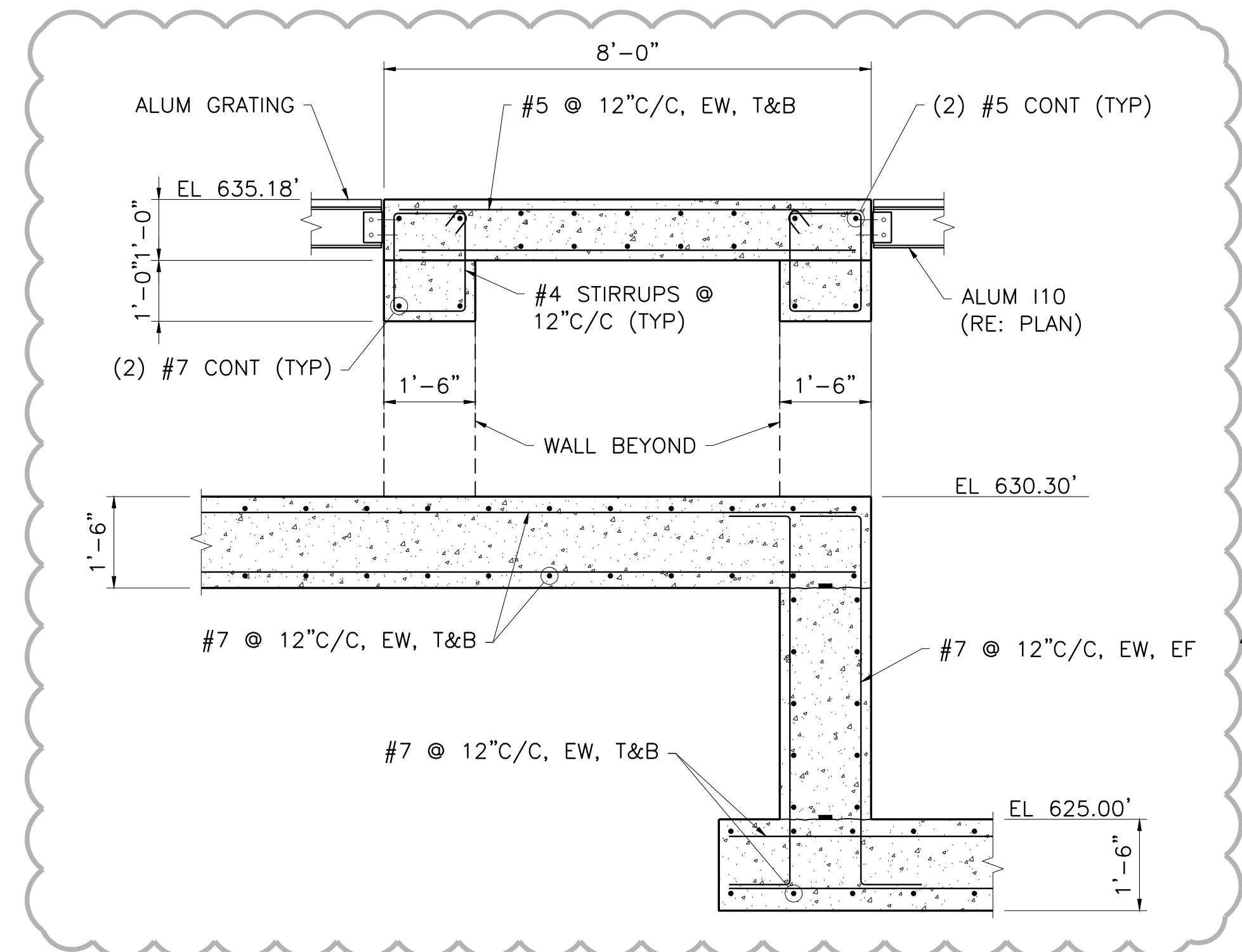
ISSUED FOR BID

SHEET  
**S-UV-3**  
 SEQ. 183

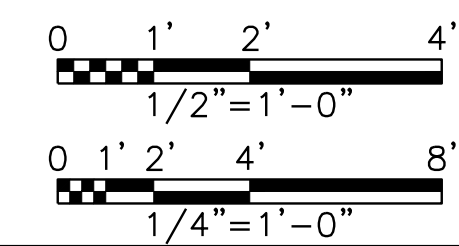
ACAD: Rel: 21.0s (LMS Tech)  
 Filename: N:\ST\ST-UVB-SC-CONC01.dwg  
 Last Saved: 2/11/2020 9:24 AM Saved By: 02198



1 SECTION  
 S-UV-3 1/4"=1'-0"



2 SECTION  
 S-UV-4 1/2"=1'-0"



Freese and Nichols, Inc.  
 Texas Registered Engineering Firm F-2144



**FREESE AND NICHOLS**  
 10431 Morado Circle, Suite 300  
 Austin, Texas 78759  
 Phone - (512) 617-3100  
 Fax - (512) 617-3101

CITY OF PFLUGERVILLE  
**CENTRAL WWTB EXPANSION**  
**PHASE I IMPROVEMENTS**  
 STRUCTURAL  
**UV DISINFECTION BASIN**  
**SECTION**

NO.	ISSUE	BY	DATE	DATE	FILE NAME
1	ISSUED FOR CONSTRUCTION	MRR	02/10/20	07/17/19	PFL16607
2	ADDENDUM NO. 2	MRR	11/04/19		MRR 09/04/19
3	VERIFY SCALE	MRR	09/04/19		ST-UVB-SC-CONC01.dwg

Bar is one inch on original drawing, if not one inch on this sheet, adjust scale.

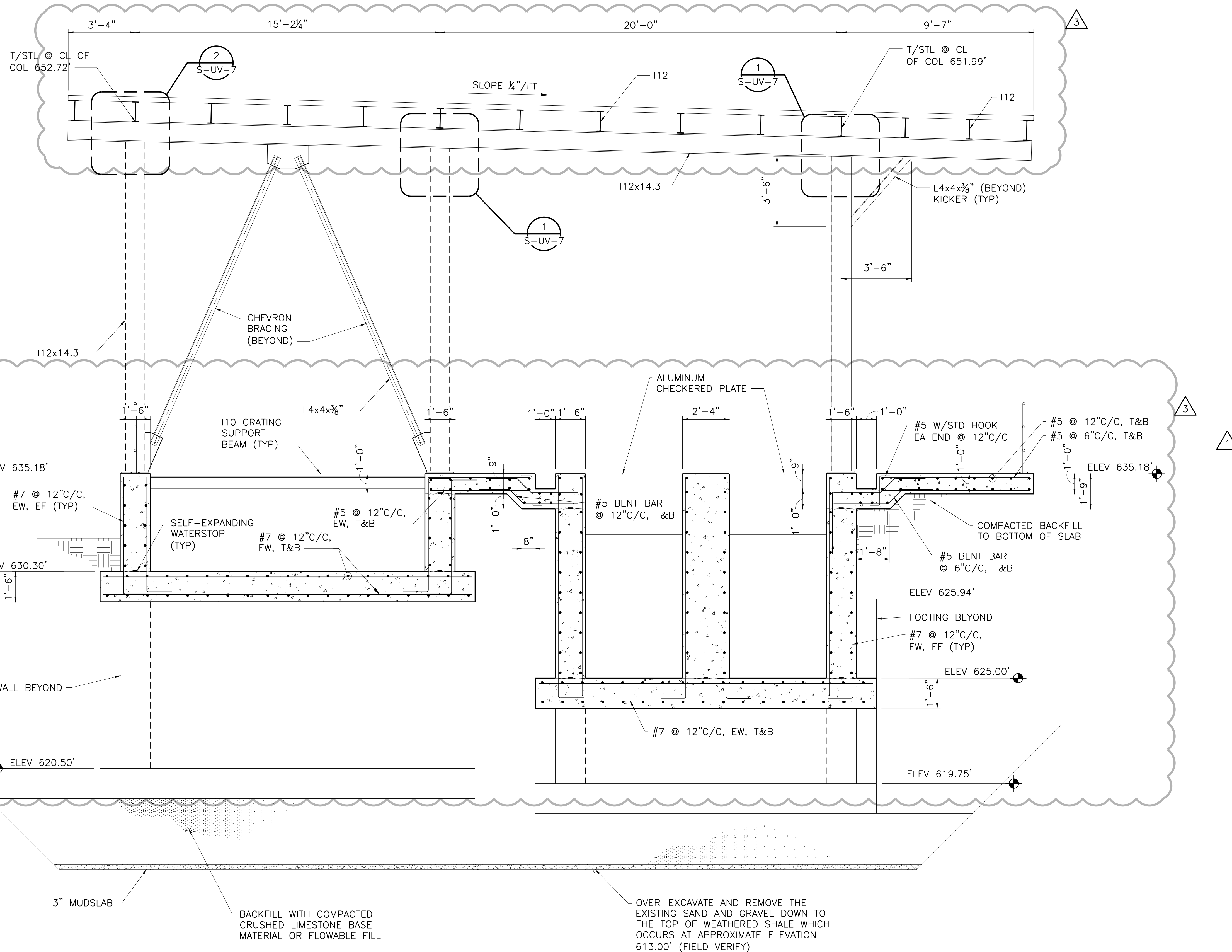
ISSUED FOR BID

SHEET  
**S-UV-4**  
 SEQ. 184





ACAD File: 21.0s (LMS Tech)  
 Filename: N:\ST\ST-UVB-SC-CONC03.dwg  
 Last Saved: 2/11/2020 9:55 AM Saved By: 02198



SECTION  
 3/8"=1'-0"

0 1' 2' 4' 8'  
 1/4"=1'-0"

ISSUED FOR BID



**FREES & NICHOLS**  
 10431 Morado Circle, Suite 300  
 Austin, Texas 78759  
 Phone - (512) 617-3100  
 Fax - (512) 617-3101

CITY OF PFLUGERVILLE  
**CENTRAL WWTB EXPANSION**  
**PHASE I IMPROVEMENTS**  
 STRUCTURAL  
**UV DISINFECTION BASIN & SYSTEM**  
**SECTION**

NO.	ISSUE	BY	DATE	DESCRIPTION
1	ISSUED FOR CONSTRUCTION	MRR	02/10/20	DESIGNED
2	ADDENDUM NO. 2	MRR	11/04/19	DRAWN
3	VERIFIED SCALE	MRR	09/04/19	REVIEWED

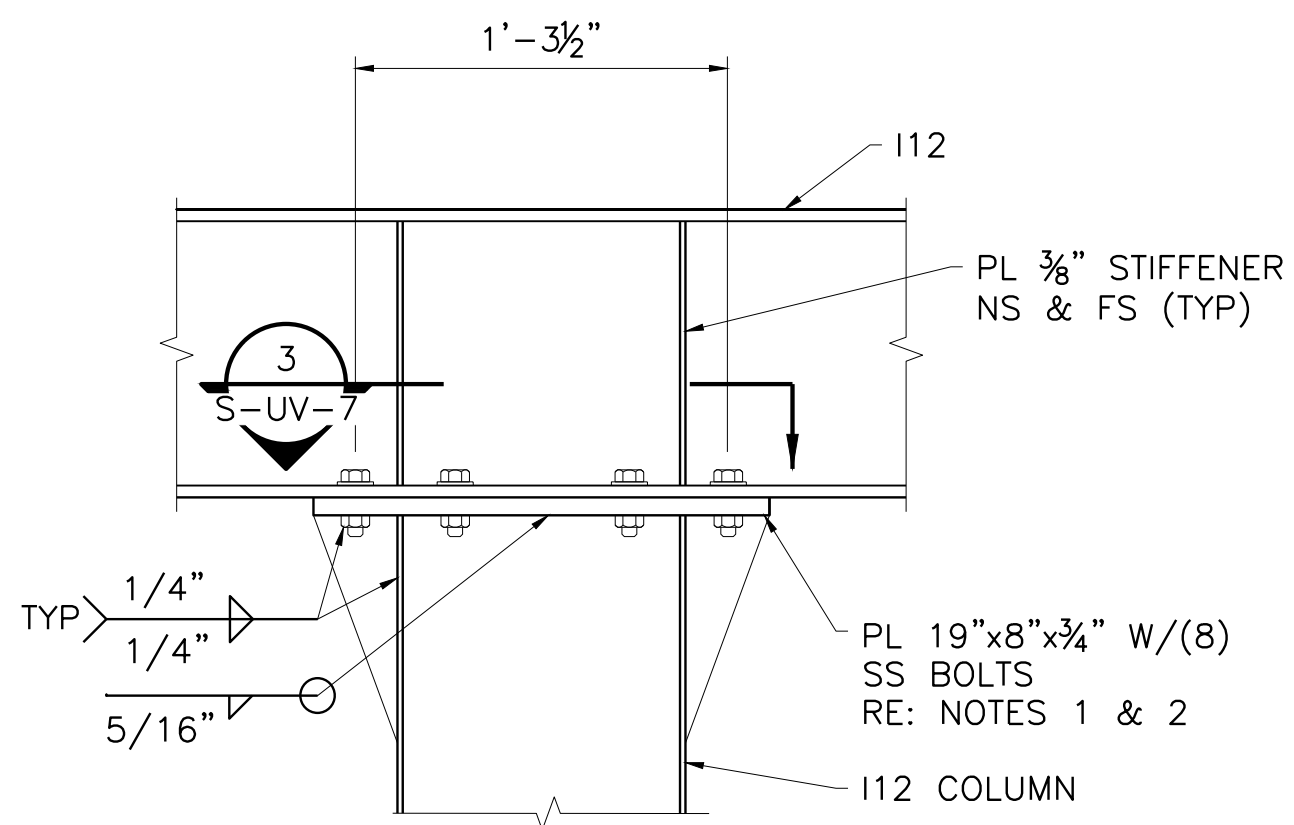
Bar is one inch on original drawing. If not one inch on this sheet, adjust scale.

FILE NAME: ST-UVB-SC-CONC03.dwg

SHEET: **S-UV-6**

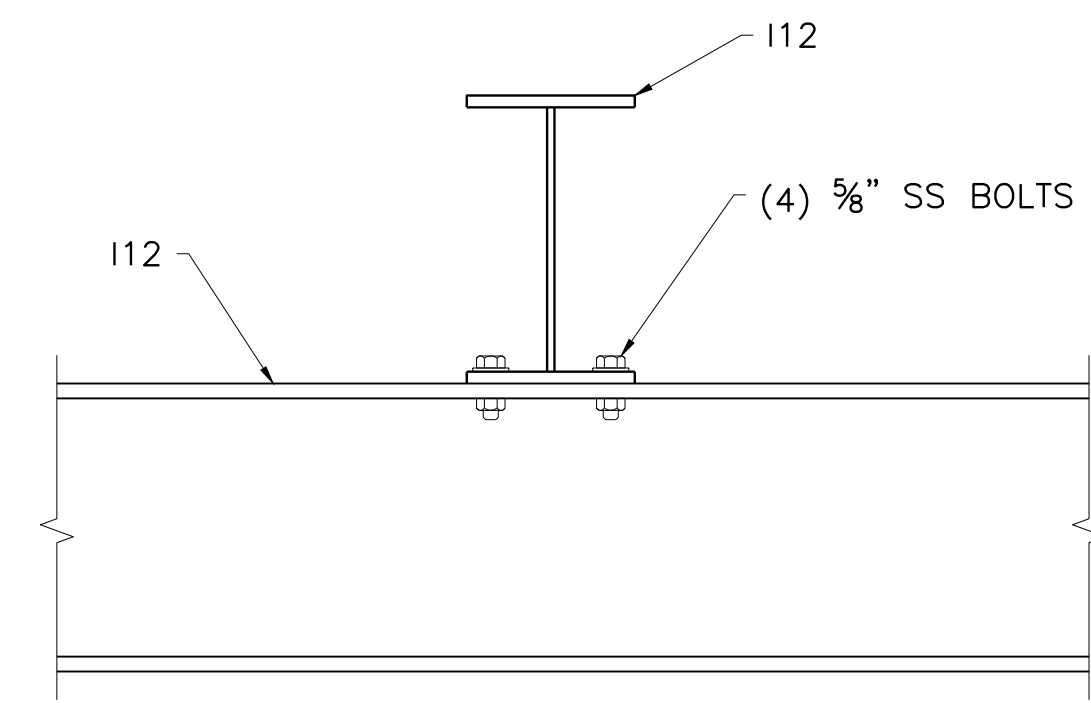
SEQ. 186





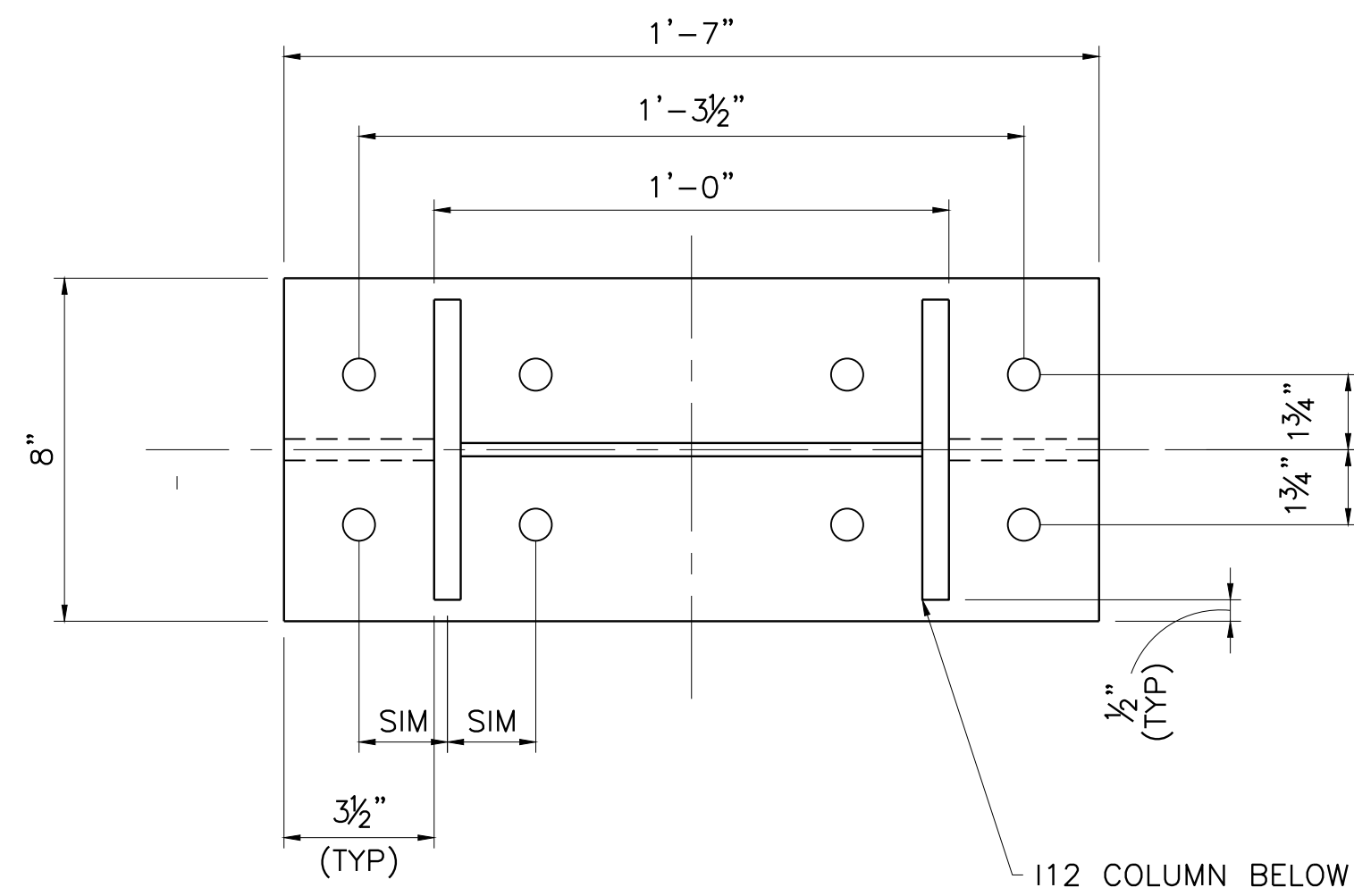
**DETAIL NOTES:**

1. BOLTS SHALL BE 1"Ø FOR SECTIONS 1A/S-UV-3.
2. BOLTS SHALL BE 3/8"Ø FOR 1B/S-UV-3
3. I12 PURLIN NOT SHOWN.
4. ROOF DECK NOT SHOWN.



**DETAIL NOTES:**

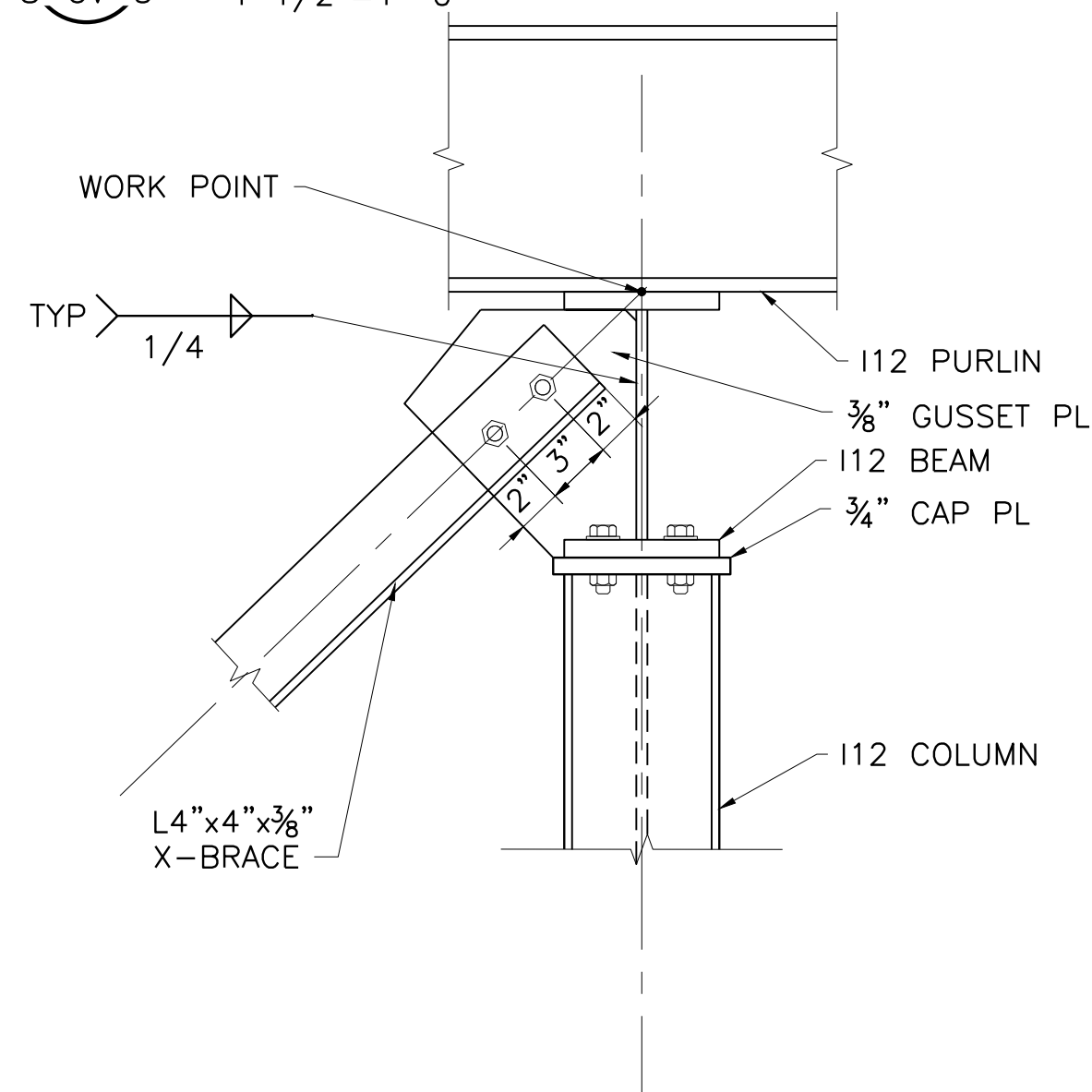
1. ROOF DECKING NOT SHOWN.



**3 CAP PLATE DETAIL**  
S-UV-3 3"=1'-0"

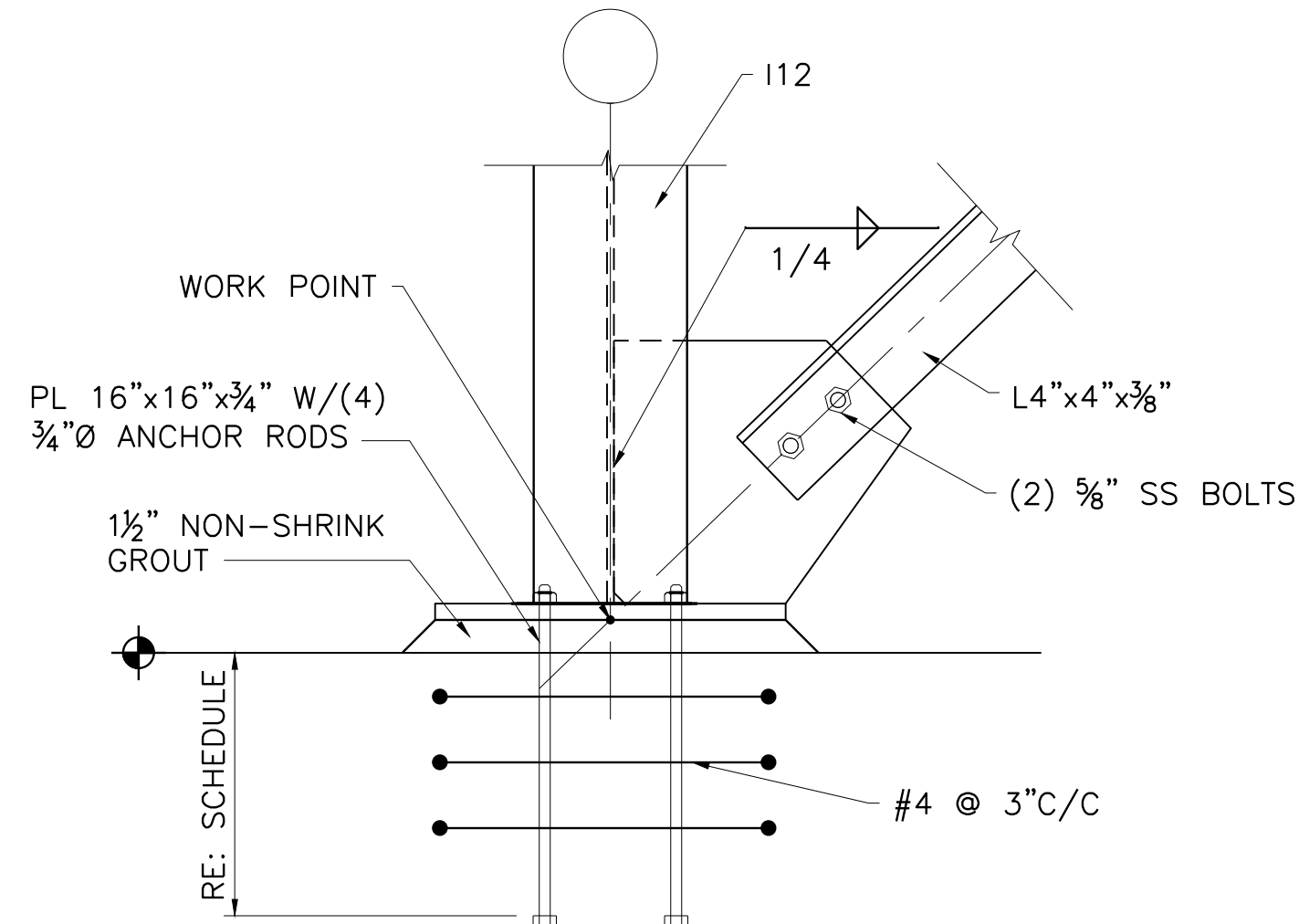
**1A-1B COLUMN-BEAM CONNECTION DETAIL**  
S-UV-3 1 1/2"=1'-0"

**2 BEAM-PURLIN CONNECTION DETAIL**  
S-UV-3 1 1/2"=1'-0"

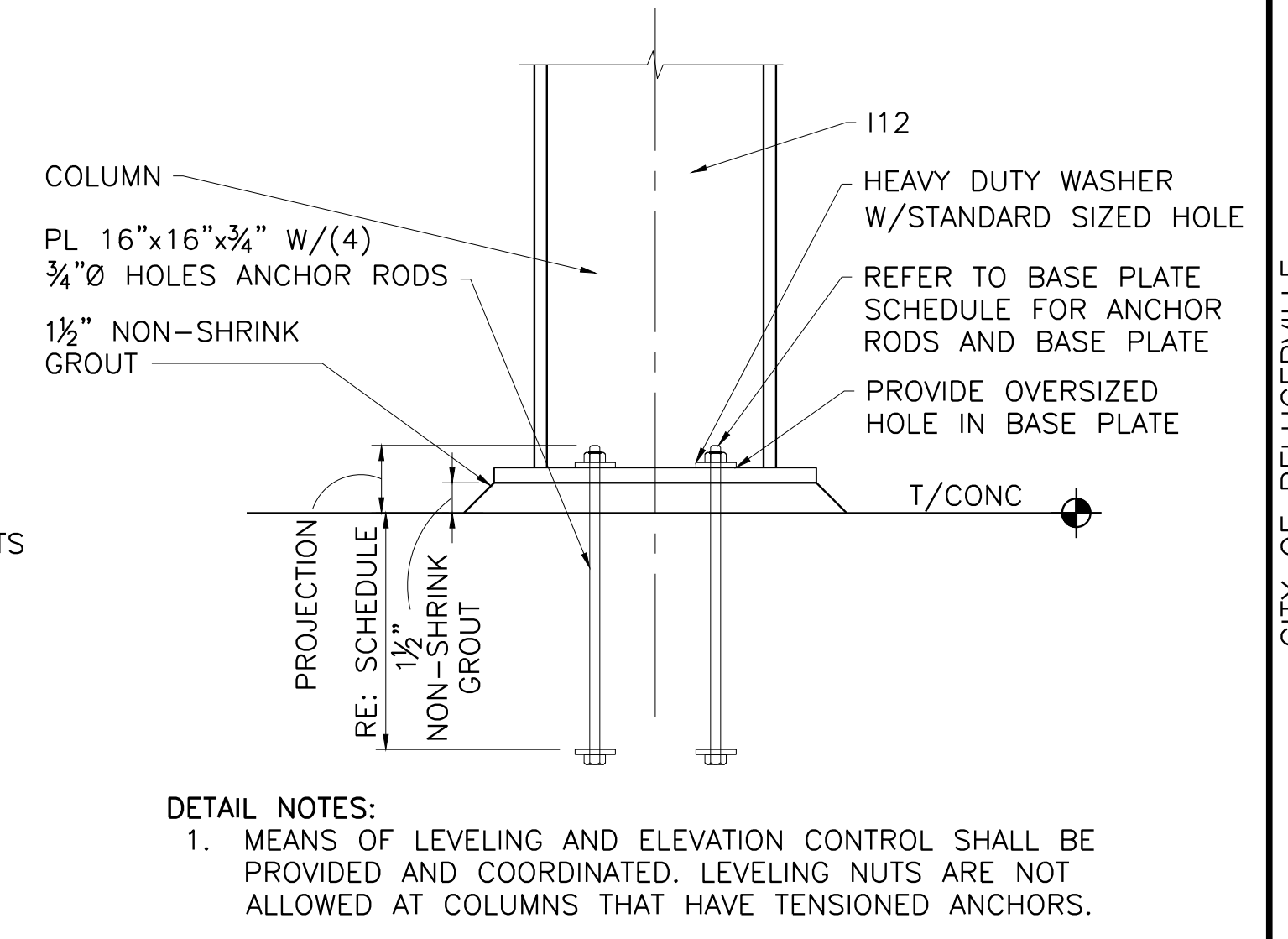


**4 X-BRACE**  
S-UV-3 1 1/2"=1'-0"

**5 X-BRACE SPACER PLATE DETAIL**  
S-UV-3 1 1/2"=1'-0"

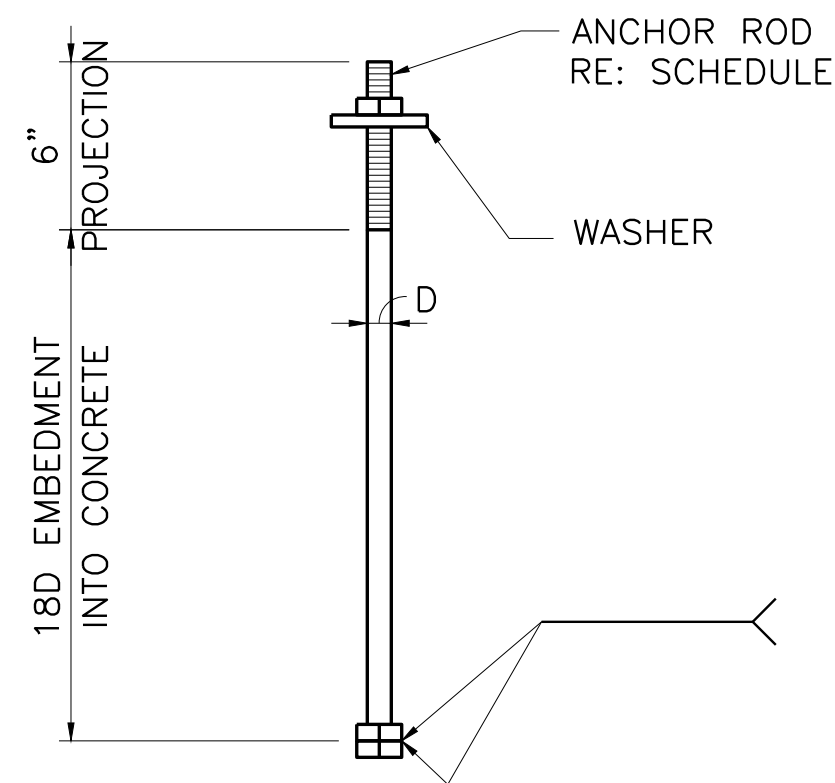


**6 COLUMN BASEPLATE & X-BRACE DETAIL**  
S-UV-3 1 1/2"=1'-0"



- DETAIL NOTES:**
1. MEANS OF LEVELING AND ELEVATION CONTROL SHALL BE PROVIDED AND COORDINATED. LEVELING NUTS ARE NOT ALLOWED AT COLUMNS THAT HAVE TENSIONED ANCHORS.

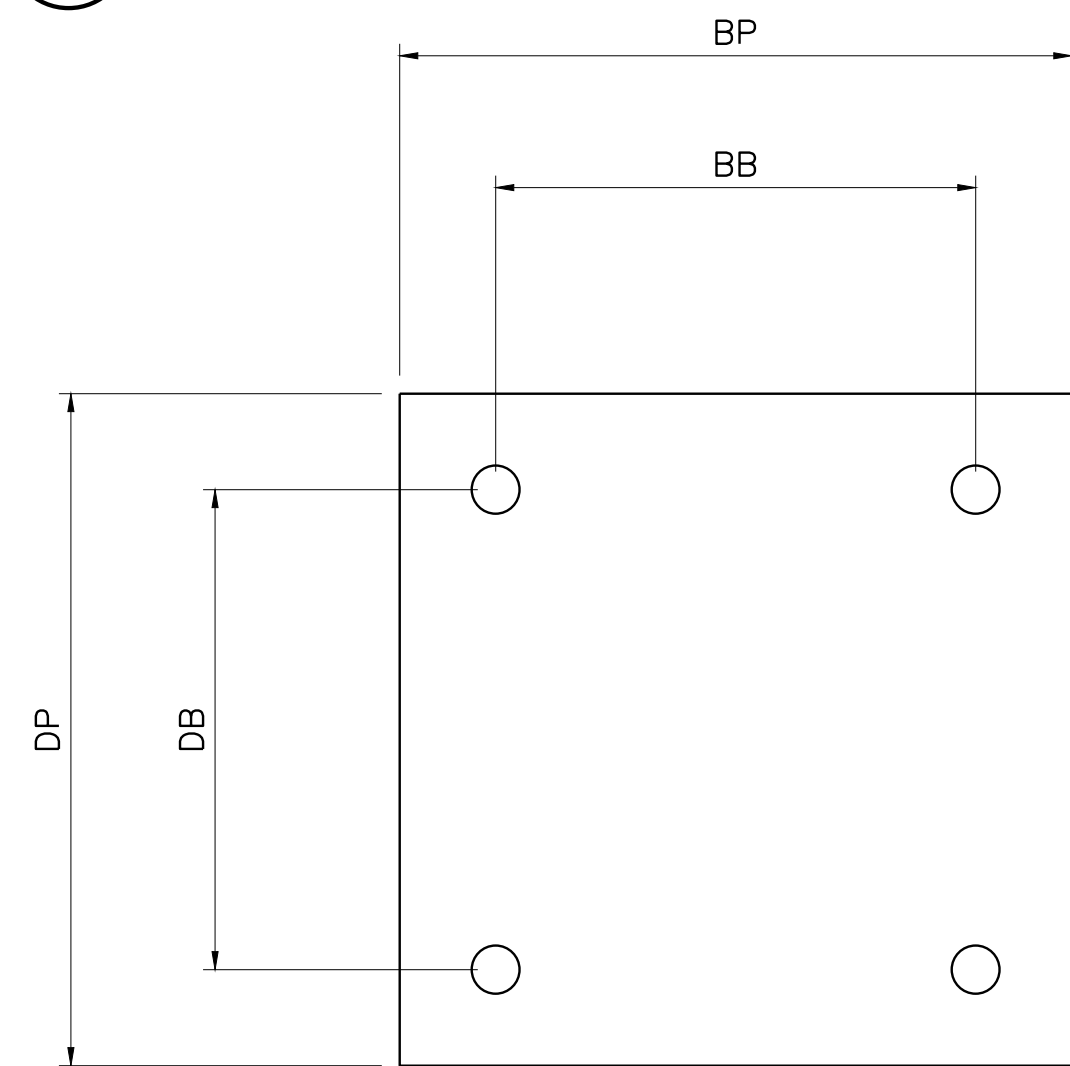
**7 BASE PLATE ELEVATION**  
S-UV-3 1 1/2"=1'-0"



**DETAIL NOTES:**

1. ALL ELEMENTS SHALL BE HOT-DIPPED GALVANIZED.

**8 ANCHOR ROD DETAIL**  
NOT TO SCALE



**9 BASE PLATE DIMENSIONS**  
NOT TO SCALE

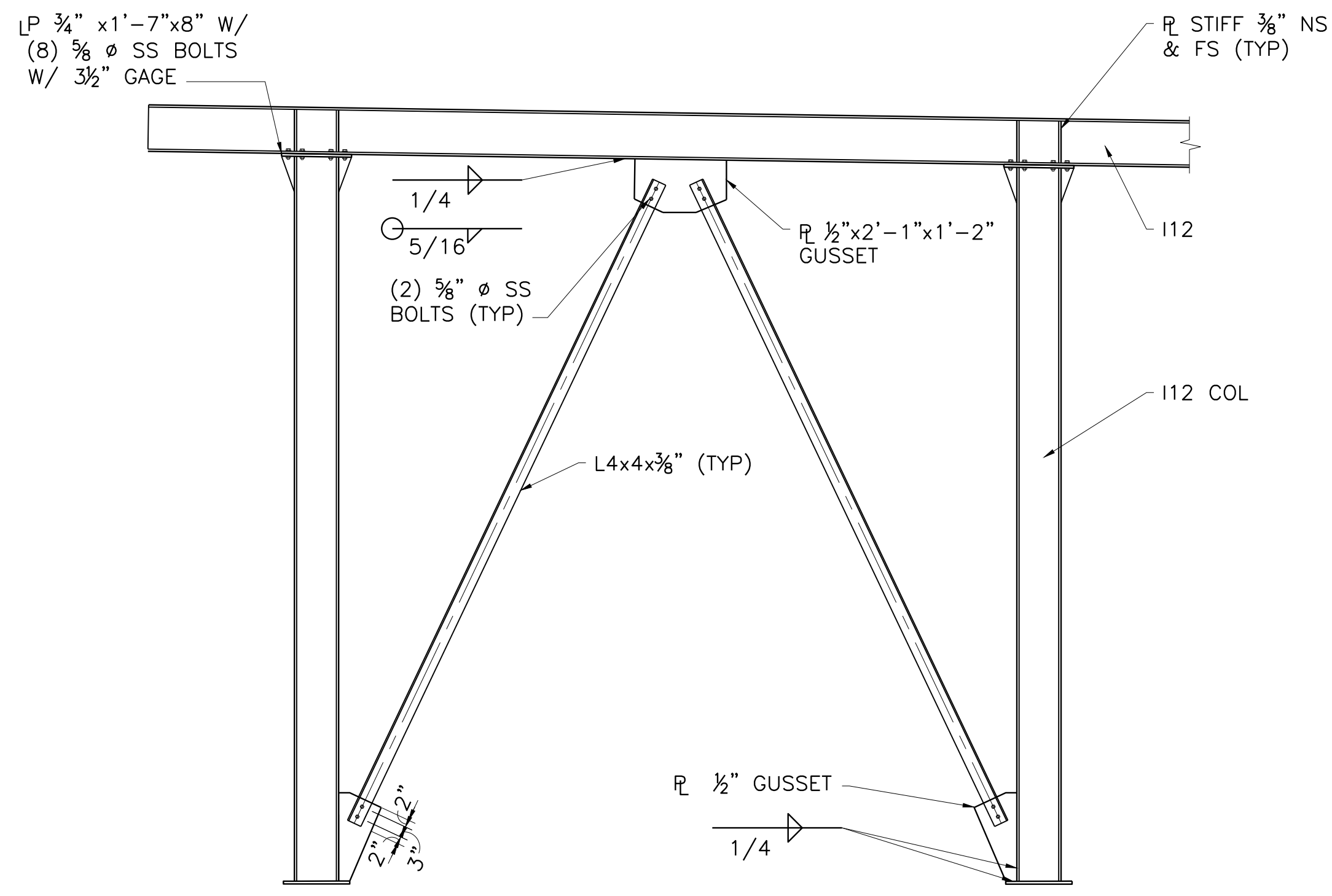
**BASE PLATE SCHEDULE**

STRUCTURE	SHEET REFERENCE	COLUMN	PEDESTAL DIAMETER	THICKNESS	BP	DP	BB	DB	ROD DIA "D"	ROD EMBED	PLATE GRADE
NPW	S-NPW-1	16x4.69	-	0'-1 1/4"	0'-10"	0'-10"	0'-5"	0'-5"	0'-0 3/4"	1'-6"	6061-T6
UV BASIN	S-UV-5	I12x14.3	-	0'-0 3/4"	1'-4"	1'-4"	0'-6"	0'-6"	0'-0 3/4"	1'-6"	6061-T6
EFFLUENT FILTER	S-EF-3	I12x14.3	-	0'-0 3/4"	1'-2"	1'-2"	0'-5"	0'-5"	0'-0 3/4"	1'-6"	6061-T6
HEADWORKS	S-HW-14	RT 8x8x0.500	2'-0"	0'-1 1/4"	1'-2"	1'-2"	0'-11"	0'-11"	0'-0 3/4"	1'-6"	6061-T6
		RT 8x8x0.500	2'-2"	0'-1 1/4"	1'-4"	1'-4"	1'-1"	1'-1"	0'-0 3/4"	1'-6"	6061-T6

1. REFER TO BASE PLATE DETAIL 6/S-UV-7.
2. REFER TO BASE PLATE ELEVATION DETAIL 7/S-UV-7.
3. REFER TO ANCHOR ROD DETAIL 8/S-UV-7.
4. REFER TO BASE PLATE DIMENSIONS DETAIL 9/S-UV-7.

NO.	ISSUE	DATE	BY	DATE	BY	DATE	BY	DATE	BY	DATE	BY
1	ISSUED FOR CONSTRUCTION	02/10/20	MRR	07/17/19	MRR	02/10/20	MRR	11/04/19	JLM	09/04/19	AD
2	ADDENDUM NO. 2	09/04/19	MRR	09/04/19	MRR	09/04/19	MRR	09/04/19	MRR	09/04/19	AD

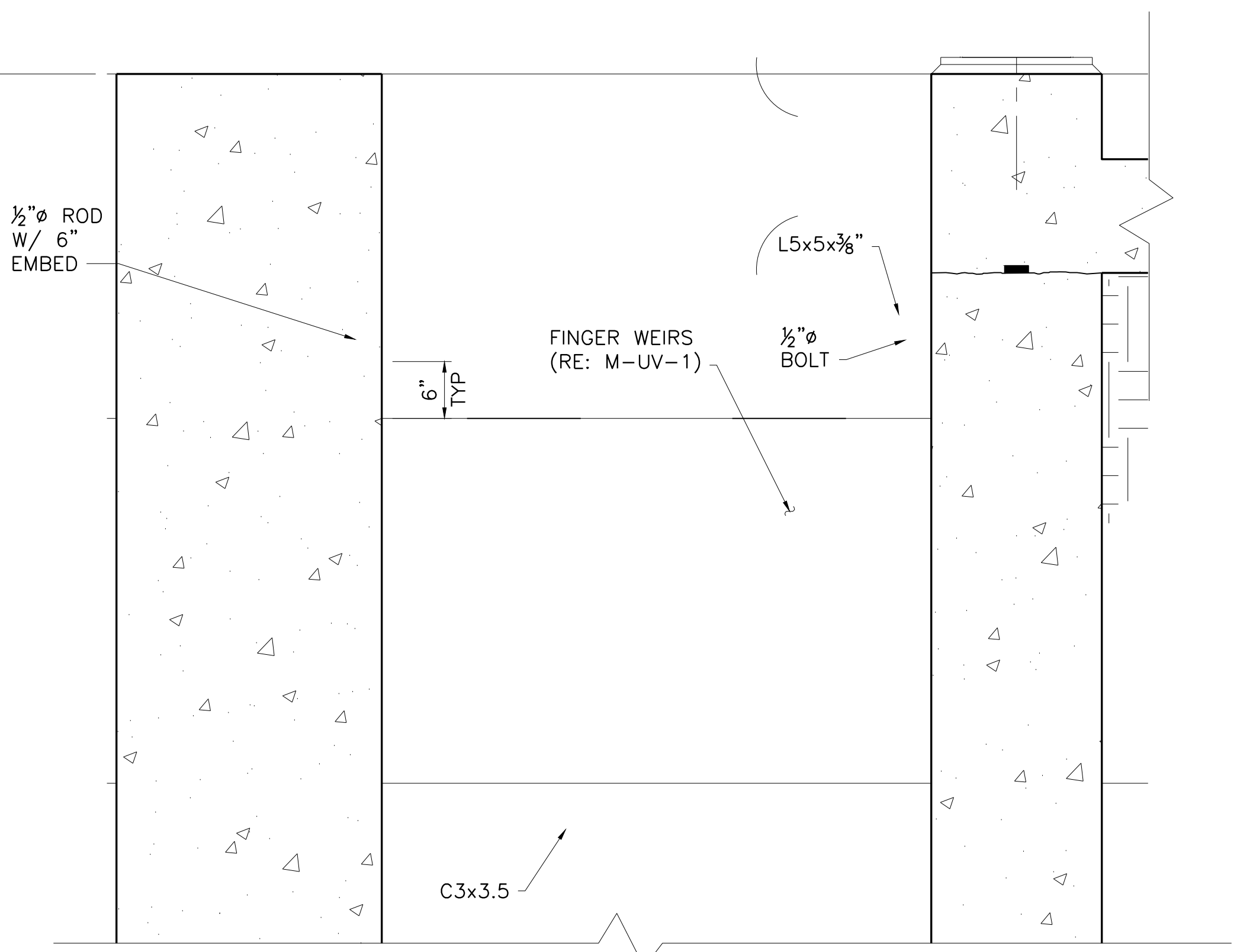
Bar is one inch on original drawing, if not one inch on this sheet, adjust scale.



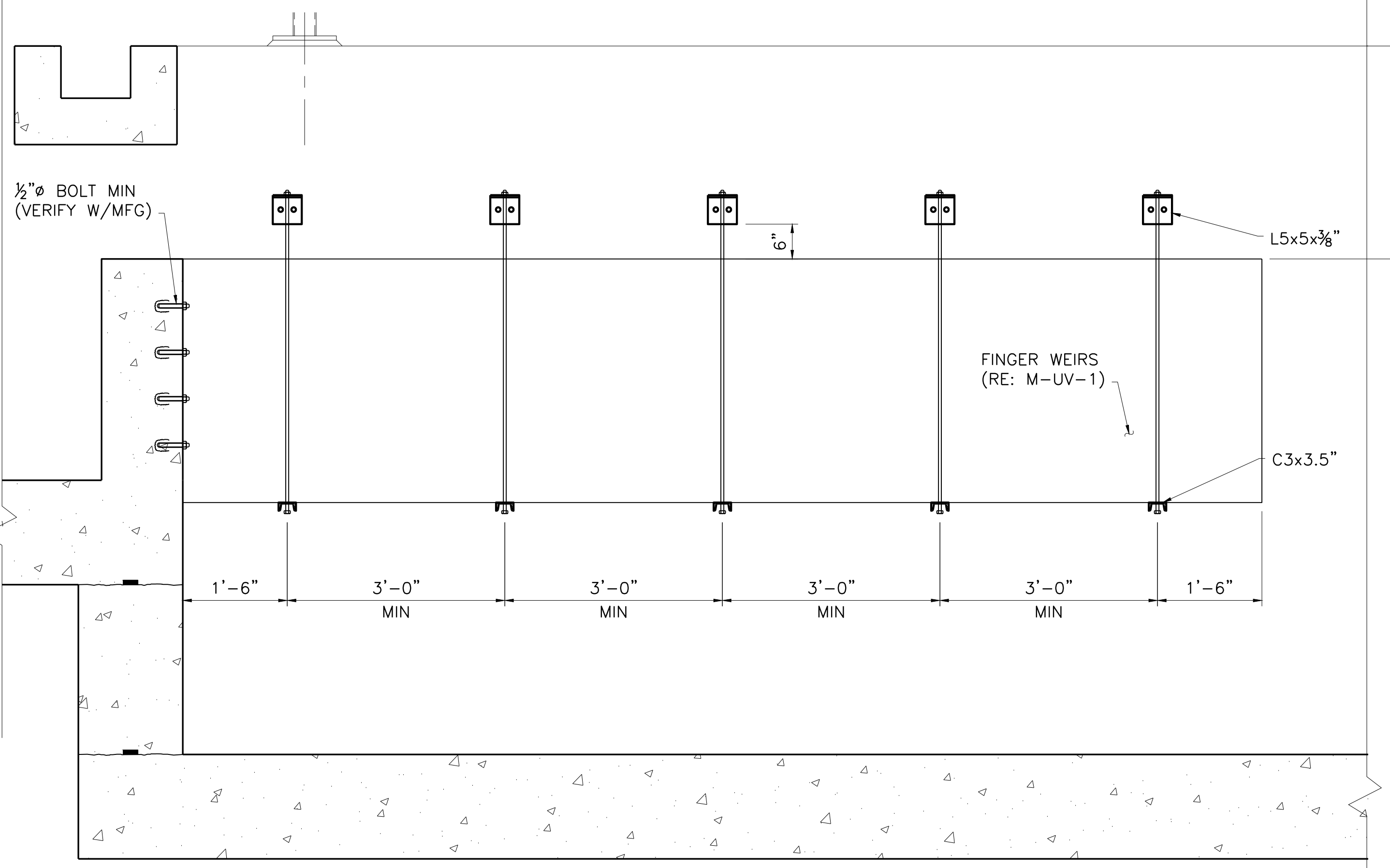
DETAIL NOTES:  
1. PURLINS AND DECK NOT SHOWN.

1 CHEVRON BRACE SECTION  
S-UV-2 3/8"=1'-0"

T/CONC  
EL 635.18



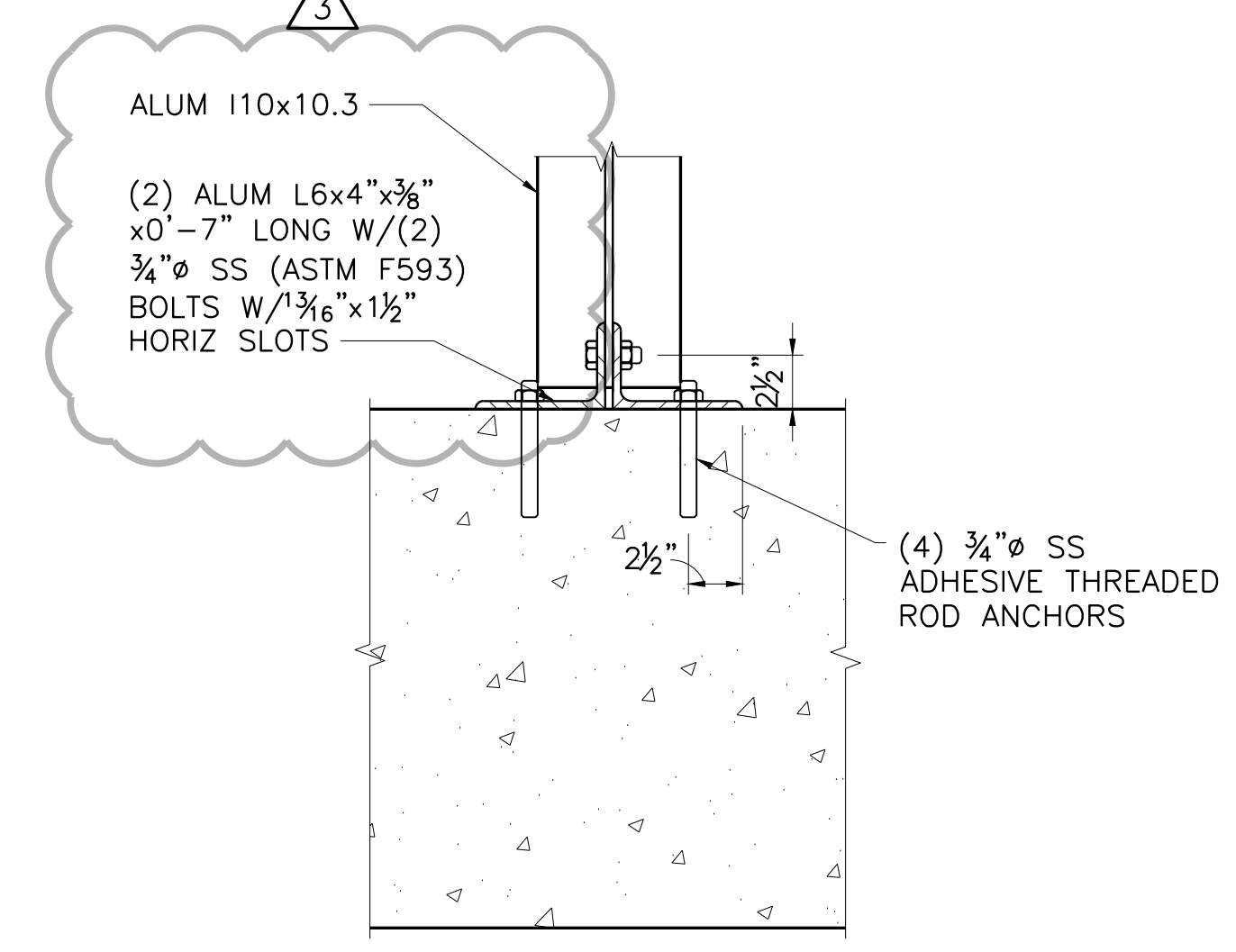
2 SECTION  
S-UV-2 1"=1'-0"



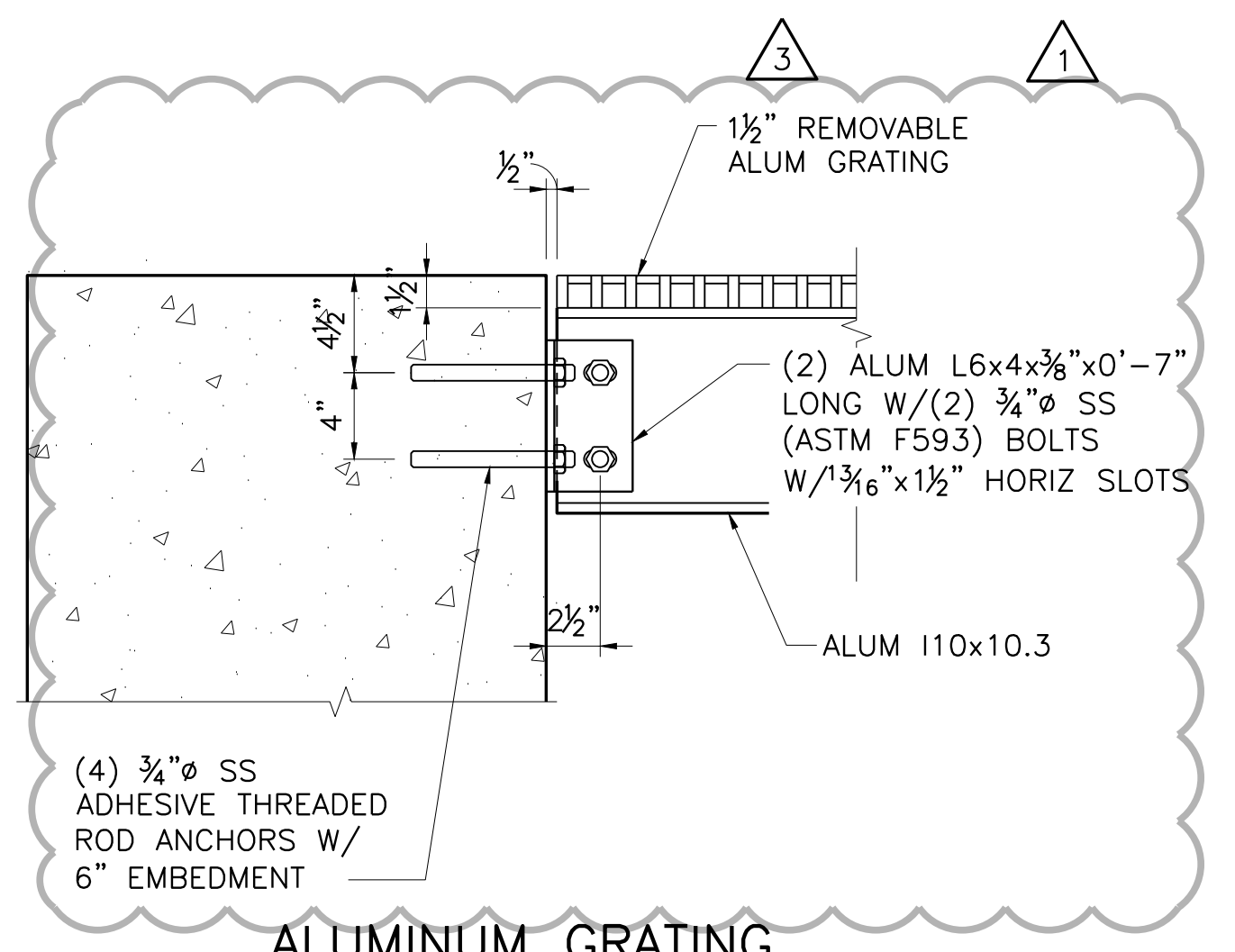
3 SECTION  
S-UV-2 3/4"=1'-0"

T/CONC  
EL 635.18

T/WEIR  
EL 632.12

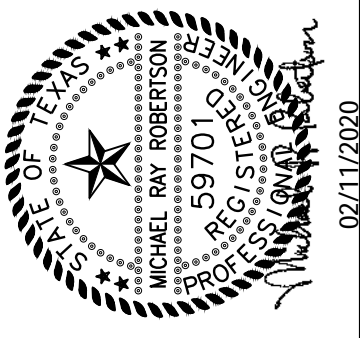


4 ALUMINUM GRATING  
SUPPORT BEAM PLAN  
1 1/2"=1'-0"



5 ALUMINUM GRATING  
SUPPORT BEAM SECTION  
1 1/2"=1'-0"

Freese and Nichols, Inc.  
Texas Registered Engineering Firm F-2144



**FREES & NICHOLS**  
10431 Morado Circle, Suite 300  
Austin, Texas 78759  
Phone - (512) 617-3100  
Fax - (512) 617-3101

CITY OF PFLUGERVILLE  
CENTRAL WWTP EXPANSION  
PHASE I IMPROVEMENTS  
STRUCTURAL  
UV DISINFECTION BASIN & SYSTEM  
FRAMING DETAILS II

NO.	ISSUE	BY	DATE	DESCRIPTION
1	ISSUED FOR CONSTRUCTION	MRR	02/10/20	DESIGNED
2	ADDENDUM NO. 2	MRR	11/04/19	DRAWN
3		MRR	09/04/19	REVISION
4				CHECKED
5				AD

Bar is one inch on original drawing. If not one inch on this sheet, adjust scale.

SHEET  
S-UV-8  
SEQ. 188

ISSUED FOR BID

ACAD: Rel: 21.0s (LMS Tech)  
Filename: N:\ST\ST-UV-DT-FRGM02.dwg  
Last Saved: 2/10/2020 2:24 PM Saved By: 02198

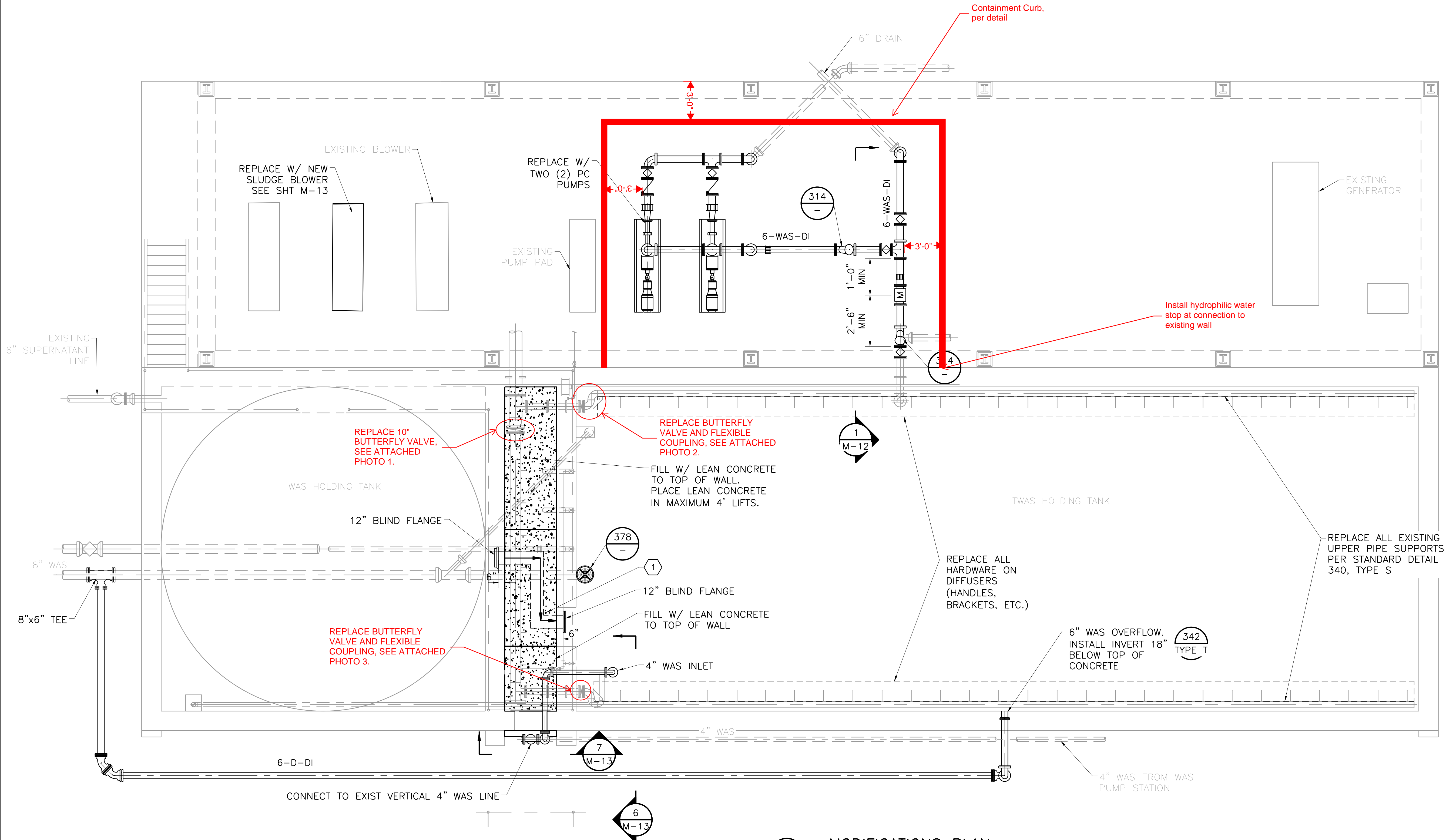
## Item 4 & 5: PC Pump Containment Curb and Blower Header Rehabilitation

**NOTES BY 'O' SYMBOL:**

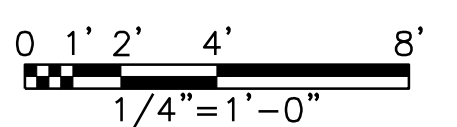
1. INSTALL 12" DIP WALL PIPE ALONG EXISTING CUTOUT BETWEEN HOLDING TANKS. PIPE INVERT SHALL BE 3'-0" BELOW TOP OF WALL. INSTALL 1" WIDE STRIP OF HYDROPHILIC WATER STOP (ADEKA ULTRASEAL OR APPROVED EQUAL) AT EACH END OF PIPE APPROXIMATELY 4" FROM EDGE OF WALL. FILL ABOVE PIPE WITH LEAN CONCRETE TO TOP OF WALL IN MAX. 4' LIFTS.

**NOTES:**

1. PROTECTIVE COATINGS SHALL BE APPLIED PER SECTION 09 96 00.01.
2. PIPING INSULATION SHALL BE APPLIED TO ALL NEW PIPING PER SECTION 44 00 00.02.



1 MODIFICATIONS PLAN  
1/4" = 1'-0"



Freese and Nichols, Inc.  
Texas Registered Engineering Firm F-2144



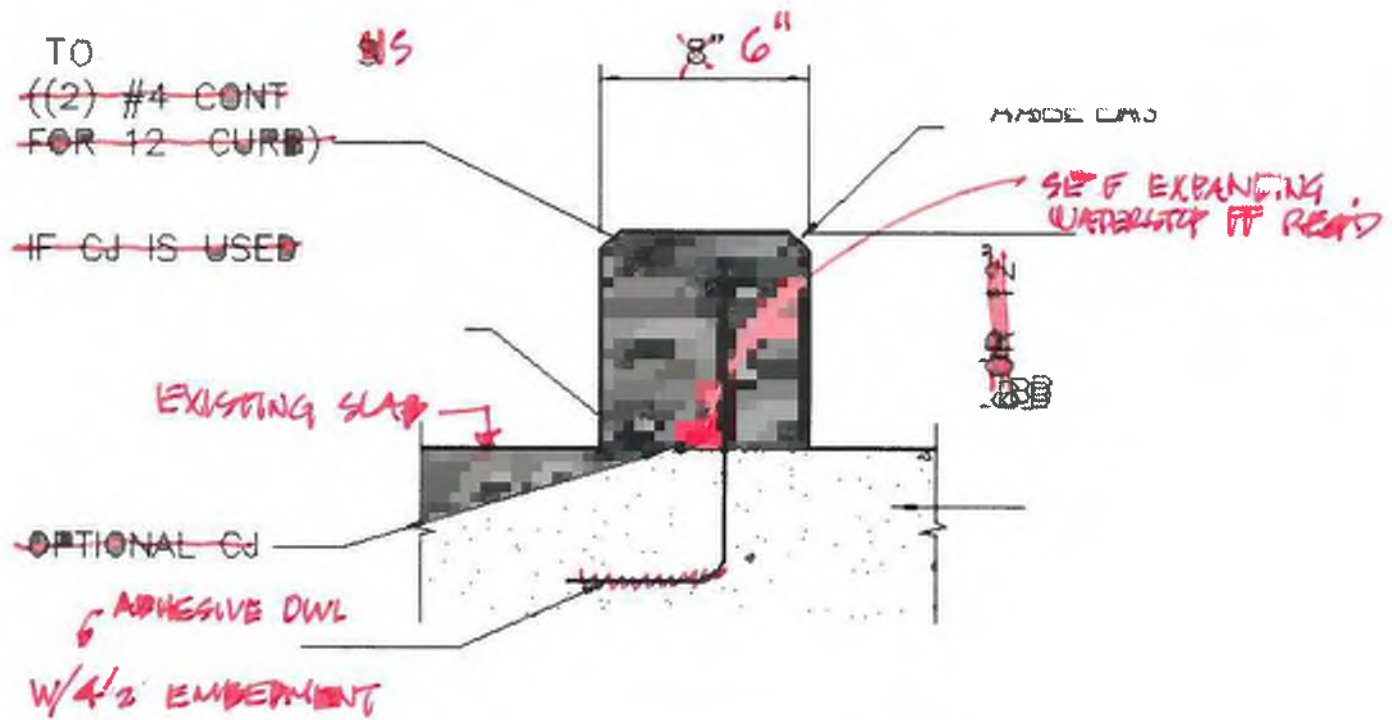
CITY OF PFLUGERVILLE  
CENTRAL WWTP INTERIM IMPROVEMENTS  
SOLIDS HANDLING SYSTEM  
EQUIPMENT AND PIPING PLAN

NO.	ISSUE	BY	DATE	DATE	DESIGNED	DRAWN	REVISION	CHECKED	ED
					JSG	DWS			
P&M JOB NO. PFL16607				DATE 12/19/17	DESIGNED JSG	DRAWN DWS	REVISION	CHECKED	ED
FILE NAME				WW-PL-SLUDGE.dwg					

SHEET M-11  
SEQ.



ITEM 4: CONTAINMENT CURB DETAIL



~~DETAIL NOTE:~~  
~~12\" CURB REQUIRED AT HEADWORKS ONLY~~  
~~UNLESS NOTED OTHERWISE. 6\" CURB TYPICAL.~~

ENTIRE

**ITEM 5: BLOWER HEADER REHABILITATION PHOTOS**



**1. BUTTERFLY VALVE AND FLANGE ADAPTER ON 10" SS AIR HEADER**



**2. BUTTERFLY VALVE AND FLEXIBLE EXPANSION COUPLING ON 6" SS AIR HEADER**



**3. BUTTERFLY VALVE AND FLEXIBLE EXPANSION COUPLING ON 6" SS AIR HEADER**



June 10, 2020

Mr. Matt Gaughan  
Plus Six Engineering  
15500 Sun Light Near Way B  
Pflugerville, TX 78660

Re: City of Pflugerville, Texas  
Central WWTP Expansion Phase I Improvements  
Project No. PFL16607  
CO001 – Includes Change Proposals listed below

Dear Mr. Gaughan,

Please find the attached pricing and quotations CP001, CP002, CP003, CP005, CP006, CP007. BAR Constructors, Inc. requests an ADD to the contract amount of \$288,607.76 and a time extension of 34 calendar days. Below are those inclusions and exclusions associated with this work.

Inclusions:

- As stated in the related Change Proposals.
- All “Assumptions” as stated in the related Change Proposals.

Exclusions:

- Any exclusions stated in the attached quotation(s).
- Anything not explicitly stated as an inclusion.

Sincerely,

Dennis J. Berger  
Project Manager  
BAR Constructors, Inc.



**Pflugerville CWWTP**  
**Phase I Improvements**  
Change Order 001  
6/10/2020

<b>Cost Proposal</b>	<b>Name</b>	<b>Reference Document</b>	<b>Approval Status</b>	<b>Requested Additional Days</b>		<b>CP Cost</b>
CP001	Phos., Clar Drain, Sludge and Misc. Items	RCP0001	Approved	21	\$	140,472.72
CP002	Thoroseal	Email Request	Approved	7	\$	30,860.89
CP003	Change of Embeds to Aluminum & Additional Support Beams	RFI009 and Submittal	Approved	0	\$	20,586.03
CP004	Temp Comms from EB4 to BioSolids		Canceled		\$	-
CP005	Temp Comms Admin and Field Operations	Unknown Field Conditions	Approved	0	\$	7,299.50
CP006	CIP 60in ML Splitter_Junction Box	RFI-32	Approved	0	\$	(7,626.27)
CP007	Temporary LS for Interceptor	Email Request	Approved	6	\$	97,014.89
Total:				34	\$	288,607.76

<b>Project:</b>	<u>Central Wastewater Treatment Plant</u>	<b>Project Number:</b>	<u>88</u>
<b>Owner:</b>	<u>City of Pflugerville</u>		
<b>Contractor:</b>	<u>BAR Constructors, Inc</u>		<u>279</u>
<b>Engineer:</b>	<u>Freese and Nichols, Inc</u>		<u>PFL16607</u>
<b>Change Proposal No.:</b>	<u>CP0001</u>	<b>Description:</b>	<u>Phosphorus/Clarifier/Sludge Handling and UV Structure Modifications</u>
<b>Specification:</b>	<u>N/A</u>		
<b>Drawing No.:</b>	<u>Attached</u>	<b>Detail Description:</b>	<u></u>
<b>Reference Document:</b>			
<input checked="" type="checkbox"/> Request for a Change Proposal No.: <u>0001</u> <input type="checkbox"/> Request for Information No.: <u>          </u>			
<input type="checkbox"/> Shop Drawing Deviation Request No.: <u>          </u> <input type="checkbox"/> Field Order No.: <u>          </u>			
<b>Contractor proposes the following modifications to the Contract Documents:</b>			
<ol style="list-style-type: none"> <li>1. Repurposing of the existing phosphorus analyzer building and equipment and addition of a new phosphorus analyzer building.</li> <li>2. Addition of a new Clarifier sump and associated 8" PVC drain line to tie into existing 10" drain line.</li> <li>3. Addition of new grating support beams and grating over finger weirs and change the size of the existing grating support beams.</li> <li>4. Installation of 6" concrete containment curb around progressing cavity pumps in solids handling area</li> <li>5. Blower head rehabilitation, replacement of leaking valves and couplings at the solids handling area.</li> <li>6. Addition of a sludge holding tank level sensor.</li> </ol>			
<b>Purpose of Change Proposal:</b>			
<b>Attachments:</b>			
<u>CP0001</u>			
<b>Requested Action:</b>			
<input type="checkbox"/> Issue a Field Order <input checked="" type="checkbox"/> Issue a Work Change Directive or Change Order for the described changes			
<b>Basis of Compensation:</b>			
<input type="checkbox"/> Unit Prices <input checked="" type="checkbox"/> Lump Sum calculated using Cost of Work provisions in General Conditions Paragraph 13.01			
<input type="checkbox"/> Time and Materials using Cost of Work provisions in General Conditions Paragraph 13.01			
<b>Required Documentation:</b>			
<input checked="" type="checkbox"/> Detailed cost breakdown attached showing labor, materials, equipment, and all other costs for this change			
<input type="checkbox"/> Schedule attached to show impacts and justification for requested change in Contract Times			
<b>Total Change Proposal Amount:</b>		<u>\$140,472.72</u>	<b>Adjustment in Contract Times (days):</b> <u>21</u>



<b>Project:</b>	<u>Central Wastewater Treatment Plant</u>	<b>Project Number:</b>	<u>88</u>
<b>Owner:</b>	<u>City of Pflugerville</u>		
<b>Contractor:</b>	<u>BAR Constructors, Inc</u>		<u>279</u>
<b>Engineer:</b>	<u>Freese and Nichols, Inc</u>		<u>PFL16607</u>

*The compensation offered for this Change Proposal is the full, complete, and final compensation for all costs the Contractor may incur as a result of or relating to this change whether said costs are known, unknown, foreseen, or unforeseen at this time, including without limitation, any cost for delay, extended overhead, ripple or impact cost, or any other effect on changed or unchanged Work as a result of this Contract Modification. Requested changes in Contract Times are the complete and final adjustments for direct impacts to the ability of the Contractor to complete the Work within the Contract Times and are the only adjustments to which the Contractor is entitled. Except as modified hereby, the Contract Documents and all of the terms and provisions thereof remain in full force and effect.*

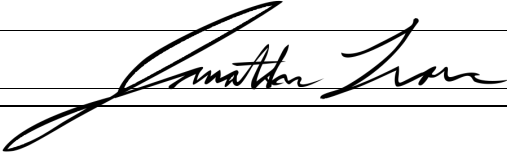
**Certified by:** Dennis Berger **Date:** 6/8/2020

**Action:**

- Field Order No.: \_\_\_\_\_ Issued     Change Order No.: 0001 Issued
- Contract Amendment No.: \_\_\_\_\_ Issued     Work Change Directive No.: \_\_\_\_\_ Issued
- Change Proposal Not Accepted     Additional information required. See comments.     Cancelled

**Comments:**

To be included in CO0001 along with CP0002, CP0003, CP0005,CP0006 and CP0007

**Response by:**  **Date:** 6/10/2020



June 8, 2020

Mr. Matt Gaughan  
Plus Six Engineering  
15500 Sun Light Near Way B  
Pflugerville, TX 78660

Re: City of Pflugerville, Texas  
Central WWTP Expansion Phase I Improvements  
Project No. PFL16607  
CP001r3 Phos. Analyzer Repurposing, Clarifier Drain Line, Sludge Handling Items  
and Submersible Influent Sump Pumps

Dear Mr. Gaughan,

Please find the attached pricing and quotations for RCP-001. BAR Constructors, Inc. requests an ADD to the contract amount of \$140,472.72 and a time extension of 21 calendar days. Below are those inclusions and exclusions associated with this work.

Inclusions:

- As stated in RCP-001
- All "Assumptions" as stated in RCP-001

Exclusions:

- Any exclusions stated in the attached quotation(s).
- Anything not explicitly stated as an inclusion.

Sincerely,

Dennis J. Berger  
Project Manager  
BAR Constructors, Inc.









<b>Deliver To:</b> <b>From:</b> Daniel Shimek <b>Comments:</b>
--

FERGUSON WATERWORKS #1106  
 Price Quotation  
 Phone: 512-930-2262  
 Fax: 512-930-2388

**Bid No:** B442889  
**Bid Date:** 03/12/20  
**Quoted By:** XXA

**Cust Phone:** 972-227-3287  
**Terms:** NET 10TH PROX

**Customer:** BAR CONSTRUCTORS INC  
 279-23 PFLUGERVILLE-CENTR  
 805 KATY ST  
 LANCASTER, TX 75146

**Ship To:** BAR CONSTRUCTORS INC  
 279-23 PFLUGERVILLE-CENTR  
 805 KATY ST  
 LANCASTER, TX 75146

**Cust PO#:** RCP-1

**Job Name:** 279-23 PFLUGERVILLE-CENTR

Item	Description	Quantity	Net Price	UM	Total
ITEM 1 ANALYZER REPURPOSING ----					
SP-ZZS415SS5SSAR	2 CI FLR DRN W/ SS GRT & ACID REST WITH SS 304 GRATE & ACID RESISTING EPOXY COATED CAST IRON	1	105.000	EA	105.00
SP-S3906020PT	2 PVC P-TRAP SCH80	1	50.760	EA	50.76
P80BK	2 X 20 FT PVC S80 BE PIPE	200	205.740	C	411.48
P80SCK	2 PVC S80 SXS COUP	5	6.160	EA	30.80
P80S4K	2 PVC S80 SXS 45 ELL	6	11.620	EA	69.72
P40SBPK	4X2 PVC S40 SPXSLIP BUSH	1	6.360	EA	6.36
MUL067259	15X4 PVC HW SWR GXGXXG WYE	1	380.690	EA	380.69
MUL067483	15 PVC HW SWR GXG REP COUP	1	347.490	EA	347.49
P80PG	1 X 20 FT PVC S80 PE PIPE	40	92.340	C	36.94
P80SCG	1 PVC S80 SXS COUP	3	3.490	EA	10.47
P80S9G	1 PVC S80 SXS 90 ELL	4	2.860	EA	11.44
SP-SC9202	2 HDG ADJ PIPE CLAMP SUPPORT	2	186.540	EA	373.08
SUBTOTAL					1834.23
-----					
ITEM 2 CLARIFIER DRAIN LINE ----					
**DELETED DI DRAIN ITEMS**					
MJTP4LA12	12 MJ C153 P-401 TEE L/A	1	0.000	EA	0.00
SSLDE12	12 DI MJ WDG REST GLND *ONELOK	3	0.000	EA	0.00
BFP412	12 DI P-401 125# BLND FLG	1	0.000	EA	0.00
SP-12DIPFABSPPOOL	12 DIP FAB SPL - DESCRIPTION BELOW	1	0.000	EA	0.00
12" x 3'6" FLxCxPE DI PRO401 L					
SP-FBSS16S12	12 SS 316 FLG BOLT SET	1	0.000	EA	0.00
SUBTOTAL					0.00
TOTAL FOR REMOVED ITEMS \$1893.67 **END OF DELETED ITEMS** -----					
SDR26HWSPX14	8X14 SDR26 HW PVC GJ SWR PIPE	112	5.190	FT	581.28
MUL067251	10X8 PVC HW SWR GXGXXG FAB WYE	1	298.750	EA	298.75

**HOW ARE WE DOING? WE WANT YOUR FEEDBACK!**

Scan the QR code or use the link below to complete a survey about your bids:



<https://survey.medallia.com/?bidsorder&fc=1254&on=47384>

Fax: 512-930-2388

17:03:08 MAR 19 2020  
Reference No: B442889

Item	Description	Quantity	Net Price	UM	Total
MUL067480	10 PVC HW SWR GXG FAB REP COUP	1	125.340	EA	125.34
MUL067328	8 PVC HW SWR GXG 45 ELL	1	82.480	EA	82.48
MJYP4LAX	8 MJ C153 P-401 WYE L/A	2	624.400	EA	1248.80
MJ4P4LAX	8 MJ C153 P-401 45 BEND L/A	2	285.600	EA	571.20
FPPP4X12	8X12'0 FLGXPE P-401 BT DI SPL	2	1195.360	EA	2390.72
BFP4X	8 DI P-401 125# BLND FLG	2	287.200	EA	574.40
SSLDE8	8 DI MJ WDG REST GLND *ONELOK	6	34.480	EA	206.88
SSLCE8	8 PVC WDG REST GLND *ONELOK	6	42.450	EA	254.70
R051MJSR08	8 MJ X SDR35 TRAN GSKT	6	16.500	EA	99.00
SP-IMJBCGASX	8 MJ CORTEN BLUE BOLT & GSKT PK	12	41.250	EA	495.00
FBSS16SX	8 SS 316 FLG BLT SET	2	27.540	EA	55.08
D118MJX	8 MJ N/LUBE PLUG VLV W/A	1	1425.880	EA	1425.88
PSVB562SW	2PC SCRW 16T/24B COMP CI VLV BX WTR	1	75.000	EA	75.00
	SUBTOTAL				8484.51
	ITEM 5				
	BLOWER HEADER VALVES				
SP-J815L113600XZ10	10 SS SS LUG 150# XT BFV	1	1141.250	EA	1141.25
SP-S91050008910000	10" ALL 316 SS FLG COUP ADPT 10.75	1	1761.490	EA	1761.49
J815W113600XZU	6 SS SS 150# WAFER HP BFV XT BS	2	632.500	EA	1265.00
SP-S41100066302002	6" ALL 316 SS FLG COUP ADPT 6.625	2	579.320	EA	1158.64
FBSS16S10	10 SS 316 FLG BLT SET	2	51.720	EA	103.44
FBSS16SU	6 SS 316 FLG BLT SET	4	22.660	EA	90.64
	SUBTOTAL				5520.46

**Net Total:** \$15839.20  
**Tax:** \$0.00  
**Freight:** \$0.00  
**Total:** \$15839.20

Quoted prices are based upon receipt of the total quantity for immediate shipment (48 hours). SHIPMENTS BEYOND 48 HOURS SHALL BE AT THE PRICE IN EFFECT AT TIME OF SHIPMENT UNLESS NOTED OTHERWISE. QUOTES FOR PRODUCTS SHIPPED FOR RESALE ARE NOT FIRM UNLESS NOTED OTHERWISE.

CONTACT YOUR SALES REPRESENTATIVE IMMEDIATELY FOR ASSISTANCE WITH DBE/MBE/WBE/SMALL BUSINESS REQUIREMENTS.

Seller not responsible for delays, lack of product or increase of pricing due to causes beyond our control, and/or based upon Local, State and Federal laws governing type of products that can be sold or put into commerce. This Quote is offered contingent upon the Buyer's acceptance of Seller's terms and conditions, which are incorporated by reference and found either following this document, or on the web at <https://www.ferguson.com/content/website-info/terms-of-sale>  
 Govt Buyers: All items are open market unless noted otherwise.

LEAD LAW WARNING: It is illegal to install products that are not "lead free" in accordance with US Federal or other applicable law in potable water systems anticipated for human consumption. Products with \*NP in the description are NOT lead free and can only be installed in non-potable applications. Buyer is solely responsible for product selection.



**HOW ARE WE DOING? WE WANT YOUR FEEDBACK!**

Scan the QR code or use the link below to complete a survey about your bids:

<https://survey.medallia.com/?bidsorder&fc=1254&on=47384>



**Project:** Pflugerville Central Plant WWTP  
Expansion Phase 1  
**Owner:** City of Pflugerville

**Date:** 04/02/20  
**TMC Change #:** COR-03 Rev 01  
**Project Change #:** N/A

### Change Order Request

Per the request of the engineer, T. Morales Company offers a change in pricing for consideration by the owner to provide services for the updated drawings.

**TMC will provide the following scope of work:**

**Item 1 Existing Phosphorus Analyzer Repurposing-**

- Install power wire to account for the required amperage and voltage drop from EB-1 to the relocated phosphorous building.
- Install analog wires from EB-1 to the relocated phosphorous building.
- From EMH-6 to the proposed location, install concrete encased Ductbank with Qty-2 new 2" PVC Conduits for the power and analog wire.
- Miscellaneous modifications to the PLC and power source (LP-BNR1)

**Item 6 Sludge Holding Tank Level Sensor-**

- Install Radar Sensor on Existing Sludge Holding Tank
- Control Wiring to tie reading into SCADA

**TMC Exclusions from Scope of Work:**

**Item 1 Existing Phosphorus Analyzer Repurposing-**

- New 6'x6'x7.5' Fiberglass Building for housing P-Analyzer and turbidimeters at effluent filters

**Item 6 Sludge Holding Tank Level Sensor-**

- Calibration for the Level Transmitter.

**Extension in Time Request:**

- Approx time for installation: 2 weeks.

The Total Lump Sum Cost for the updated changes will equate to a total of: \$32,380.00

Change Initiated By: Luis Varela / Freese&Nichols      Change Prepared By: Tye Eldridge / TMC  
 Change Delivered To: Dennis Berger / Bar Const      Response Rqst'd By: ASAP  
 Carbon Copy To: Randy Eldridge / TMC

Index	Description	Reference Type	Reference	Ref Amount	Operation	Rate	Amount
1	MATERIALS / QUOTES:						0.00
2	Misc Materials:	Material	Total	14,579.93	*	1.00	14,579.93
3	CPUSA	Calculated		2,271.00	*	1.00	2,271.00
4	Quote #2	Calculated		0.00	*	1.00	0.00
5	SUBTOTAL						16,850.93
6	#####						0.00
7	SALES TAX:	Material	Total	14,579.93	%		0.00
8	SUBTOTAL						0.00
9	#####						0.00
10	LABOR:						0.00
11	Straight Time Labor	Labor	Total	116.57	*	46.22	5,387.82
12	Overtime Labor	Calculated		0.00	*	69.33	0.00
13	Exec Order 13706 Hours	Labor	Total	116.57	*		0.00
14	Exec Order 13706 Rate	Component	13	0.00	*	46.22	0.00
15	Gen Foreman Hours	Labor	Total	116.57	%	10.00	11.66
16	Gen Foreman Rate	Component	15	11.66	*	50.97	594.15
17	Material Hndler Hrs	Labor	Total	116.57	%	5.00	5.83
18	Material Hndler Rate	Component	17	5.83	*	35.04	204.23
19	Update As Built Dwgs	Calculated		1.00	*	49.00	49.00
20	SUBTOTAL						6,235.20
21	#####						0.00
22	DIRECT JOB EXPENSES:						0.00
23	Expendable Tools	Material	Total	14,579.93	%	6.00	874.80
24	Equipment						0.00
25	Warranty on Material	Component	5	16,850.93	%	3.00	505.53
26	Warranty on Labor	Component	20	6,235.20	%	3.00	187.06
27	SUBTOTAL						1,567.38
28	#####						0.00
29	SUBCONTRACTS:						0.00
30	Sub #1	Calculated		0.00	*		0.00
31	Sub #2	Calculated		0.00	*		0.00
32	SUBTOTAL						0.00
33	#####						0.00
34	JOB SUBTOTAL						24,653.51
35	#####						0.00
36	MARKUPS:						0.00
37	Liability/Bldrs Risk	Component	34	24,653.51	%	2.00	493.07
38	WrkComp/SS/Unmplymnt	Component	20	6,235.20	%	25.00	1,558.80
39	Overhead @ 10%	Component	34	24,653.51	%	10.00	2,465.35
40	JOB TOTAL						29,170.73
41	#####						0.00
44	Perf_Payment Bond	Component	43	32,087.80	%	2.00	641.76
45	ADD BOND	Component	44	641.76	*	1.00	32,729.56
46	#####						0.00
47	BID TOTAL						<del>32,729.56</del> 32,380.00

**NOTES**

Item				Material			Labor		
Size	Item Desc	Qty	UOM	Mat Unit	Mat Adj	Mat Ext	Lbr Unit	Lbr Adj	Lbr Ext
2"	PVC Sch 40 Carlon #49011010	313.00	FEET						
3/4"	ALUM CONDUIT	40.00	FEET						
2"	ALUM CONDUIT	15.00	FEET						
2"	PVC Sch 40 Elbow Carlon #UA9AJ	3.00	EACH						
3/4"	ALUM 90 ELBOW	2.00	EACH						
2"	PVC Coup Carlon #E940J	6.00	EACH						
2"	PVC Male Adapt Carlon #E943J	4.00	EACH						
2"	PVC T CONDULET/COVER	1.00	EACH						
3/4"	ALUM LB W/CVR & GASK	2.00	EACH						
2"	MYERS HUBS GRDG	6.00	EACH						
2"	PLASTIC BUSHINGS	2.00	EACH						
3/4"	CUT/THREAD-LABOR	4.00	EACH						
2"	CUT/THREAD-LABOR	4.00	EACH						
3/4"	ALUM COUPLING	2.00	EACH						
3/4"	ALUM MYERS HUBS GRDG	2.00	EACH						
2"	HOLE DRILL & PATCH	2.00	EACH						
3/8X1-1/2	FENDER WASHER	5.00	EACH						
1/4-20	CONCRETE DROP IN ANCHOR	44.00	EACH						
3/8-16	CONCRETE DROP IN ANCHOR	5.00	EACH						
3/4"	S.S.STRUT STRAPS	5.00	EACH						
2"	S.S.STRUT STRAPS	44.00	EACH						
1 1/2.	ALUM STRUT	46.00	FEET						
3/4"	FLEX CONDUIT	3.00	FEET						
3/4"	FLEX ANGLE CONN	2.00	EACH						
2"	KO LABOR ONLY	2.00	EACH						
	NYLON LINE	363.00	FEET						
12	XHHW STR CU	3,229.00	FEET						
10	XHHW STR CU	150.00	FEET						
8	XHHW STR CU	1,292.00	FEET						
6.	THHN CU GREEN	14.00	FEET						
4/0	Bare Cu STR (Tinned)	150.00	FEET						
SMALL	WIRE TERM-LABOR ONLY	12.00	EACH						
20/2	CIRCUIT BREAKER	1.00	EACH						
7.5	1PH TRANSFORMERS	1.00	EACH						
100A	HD 3PNF 600V NEMA 3R	1.00	EACH						
2X3	BASE SPACER	20.00	EACH						
6W X 24D	TRENCHER DITCHING	150.00	FEET						
6W X 24D	BACKFILL TRENCHER	150.00	FEET						
	6" WARNING TAPE MAG.	150.00	FEET						
	#4 STEEL REBAR	150.00	FEET						
	#5 STEEL REBAR	300.00	FEET						
	3000# CONCRETE	10.00	CYD						
	Red Dye (Lbs)	32.00	LBS						
2"	Pack/Pour Seal Off Ftg	4.00	EACH						
<b>Grand Totals</b>						<b>14,579.93</b>	<b>116.5690</b>		



To: Bar Constructor Inc.  
Attn: Dennis Berger

Cody Builders Supply  
12002 N Lamar Blvd  
Austin, TX 78753  
Ph 512/339-9834  
Fax 512/339-0165  
metals@codybuilderssupply.com



## CHANGE ORDER

Date: 05/27/2020

CO NO.: PF-CO-01R2

Project: Pflugerville Central WWTP Phase1

SUBJECT Additional aluminum support beams, ledge angles, grates UV per RCP#1

REFERENCE (RFI/Dwg/Etc): RCP#1

REQUESTED BY: Dennis Berger

### Information/Explanation of Change:

This change order request includes change of aluminum support beams, additional grate over finger weirs.

### Pricing:

Cost of aluminum support beam changes	+\$19,917
Additional grate and embeds over finger weirs	+\$ 7,020
This change order total	+\$26,937

Attachments: None

SCHEDULE IMPACT?  YES  NO  TBD ADD  SUBTRACT  \_\_\_\_\_ number of \_\_\_\_\_

PREPARED BY: Erdem Biyikli APPROVED BY: \_\_\_\_\_

**Note: Notice to proceed is considered acceptance of price quoted.**

<b>COR-1</b>		Contract drawings				RCP No1						
Sheet	Item	Item	Qty.	Length	Weight Lbs.	Item	Qty.	Length	Weight Lbs.	Diff. Lbs	Unit Price	Cost
S-UV-2	Alm. Beam	I8x7.02	1	12	84.24	I10x10.3	3	12	370.8	286.56	7.02	2,011.65
S-UV-2	Alm. Beam					I10x10.3	2	5	103	103	7.02	723.06
S-UV-1	Ledge angle					2x2x1/4	2	3	6.66	6.66	7.02	46.75
S-UV-2	Alm. Beam	I8x7.02	15	14	1474.2	I10x10.3	19	14	2739.8	1265.6	7.02	8,884.51
S-UV-2	Alm. Beam					I10x10.3	6	5	309	309	7.02	2,169.18
S-UV-2	Alm. Bent plates/hardware									240	25.34	6,081.60
						<b>Alm. Total</b>				<b>2210.82</b>	<b>9.01</b>	<b>19,916.76</b>
						<b>Additional Grates</b>						<b>7,020.00</b>
						<b>COR-01 Total</b>						<b>26,936.76</b>

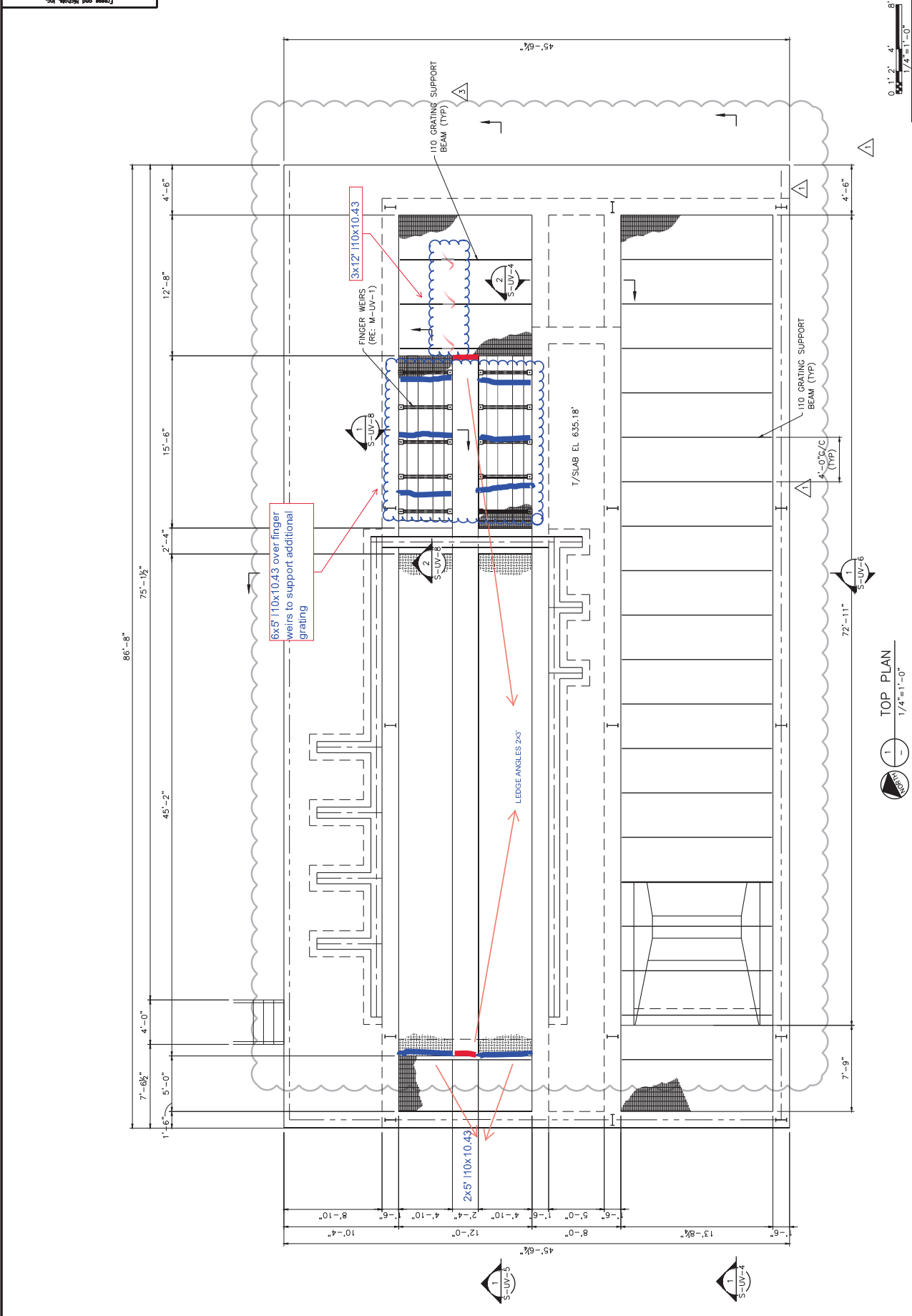


10431 Avenida Cibola, Suite 300  
 Austin, Texas 78758  
 Phone - (512) 617-3100  
 Fax - (512) 617-3101

CITY OF PLUGERVILLE  
 CENTRAL WWTP EXPANSION  
 PHASE I IMPROVEMENTS  
 STRUCTURAL  
 UV DISINFECTION BASIN & SYSTEM  
 TOP PLAN

NO.	ISSUE	DATE	BY
1	ISSUED FOR CONSTRUCTION	02/10/20	MFR
2	ADDITIONAL NO. 2	09/04/19	MFR
3	REVISED FOR CONSTRUCTION	11/04/19	MFR
4	REVISED FOR CONSTRUCTION	07/17/19	MFR
5	REVISED FOR CONSTRUCTION	07/17/19	MFR

SEC. 182  
 S-UV-2



ISSUED FOR BID

TOP PLAN  
 1/4" = 1'-0"



